

BENCHMARK™

5044-039

2,000 PSI ELECTRIC PRESSURE WASHER



MANUAL

BENCHMARK[™]

**MIDLAND
POWER** 

This product is supported by **Midland Power**. Contact us directly for assistance and warranty help. Do not return this product to store.

You must register online for your warranty to be valid. It only takes a minute, do it now while you still have your purchase receipt.

Register Your Product Online

[www.benchmark.midlandpowerinc.com/
register-warranty](http://www.benchmark.midlandpowerinc.com/register-warranty)



Support for your product is available online, including parts, service center locations, and live expert advice.

Visit us online at

www.benchmark.midlandpowerinc.com



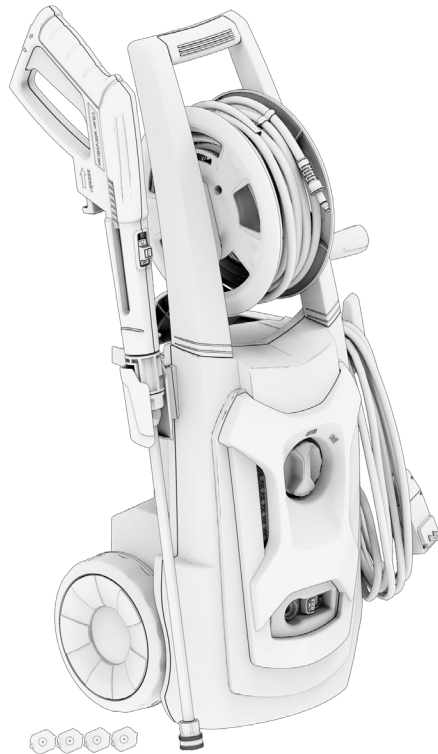
Or call us anytime at **1-877-528-3772**.

Thanks for choosing Benchmark!

You're excited to get started, we'll keep this brief.

READ THIS ENTIRE GUIDE BEFORE USING THIS PRODUCT AND SAVE FOR LATER USE.

This user guide contains important instructions including safety, setup, operation, and maintenance that must be followed. All information in this guide is based on information available at the time of print. This guide or revised editions can be found on our website for download. No part of this publication may be reproduced without written permission.



THIS PRODUCT MEETS ALL CERTIFICATION REQUIREMENTS FROM:



266726

©2025 Benchmark. All Rights Reserved.

5044-039_Manual_EN_2025-02-07

TABLE OF CONTENTS

1. Safety	1
1.1 Operator Safety	1
2. Learn About your Pressure Washer	4
2.1 Component Identification	4
2.2 Assembly Instructions	6
3. Pre-Operation Check	9
3.1 Prepare the Water Inlet Filter	9
3.2 Spray Wand And Hose Assembly	10
3.3 Hook Up the High Pressure Hose	11
3.4 Hook Up the Water Supply Hose	12
3.5 Attach Spray Nozzles	13
3.6 Working With Detergents	15
3.7 Detergent Dilution	15
3.8 Check the Water Supply	16
4. Starting your Pressure Washer	17
5. Pressure Washer Operation	19
5.1 Using the Spray Wand	19
5.2 Rotating Lance	19
6. Stopping the Pressure Washer	20
7. Maintenance	22
7.1 Nozzle Cleaning	22
7.2 Cleaning the Water Inlet Filter	23
8. Transportation & Storage	24
9. Troubleshooting	25
10. Technical Specifications	27
11. Limited Warranty	28

1. SAFETY

1.1 OPERATOR SAFETY

▲ WARNING!

- Properly clean and maintain the equipment.
- Operate the pressure washer according to instructions for safe and dependable service.
- Before operating the pressure washer, read the user guide carefully. Otherwise, personal injuries or equipment damage may result.
- Never run the pressure washer in an enclosed area.
- Pay attention to the warning labels.
- Place the pressure washer at least 3 feet away from buildings or other equipment during operation.
- Run the pressure washer on a level surface. Tilting the pressure washer may result in spills.
- Know how to stop the pressure washer quickly and understand operation of all the controls. Never permit anyone to operate the pressure washer without proper instructions.
- Keep children, pets and machinery with rotating parts away during operation.
- Do not operate the pressure washer in rain or snow.
- Wear ear and eye protection while operating this unit.

1.2 USE SAFETY

⚠ WARNING!

- NEVER direct the water spray towards electrical wiring, devices, or directly at the pressure washer itself. Fatal electric shock may occur.
- NEVER direct the water flow at people. The high pressure jet can be dangerous if misused and must not be directed at people, animals, electrical devices or the unit itself. **DO NOT TREAT FLUID INJECTION AS A SIMPLE CUT!** Seek medical help immediately.
- NEVER spray flammable liquids, risk of explosion. Operate only where open flame or torch is permitted.
- Always operate on dry, solid level ground.
- DO NOT expose this product to excessive moisture, dust, or dirt.
- DO NOT use in areas where fumes from paint solvents or flammable liquids pose a potential hazard.
- Inspect before each use, ensure all nuts, bolts, screws, fittings, hose clamps, wheels. etc. are securely tightened. Never operate when the product is in poor mechanical condition.
- Never move this product while spraying.
- DO NOT use acids, solvents, alkaline, or flammable substances in this product. They may cause injuries to the operator and will permanently damage the machine.
- Only use detergents that are designed to be specifically used with a pressure washer. The user of other cleaning detergents may void the warranty.
- The spray wand will kick, hold with both hands.
- Never run the unit dry, always be sure the water supply is turned on fully before operating the unit.
- Know how to stop the product and bleed pressure quickly. Be thoroughly familiar with the controls.
- DO NOT operate the pressure washer without the water turned on.
- DO NOT overreach or stand on unstable surface. Keep good footing and balance at all times.
- Wear proper eye and ear protection while operating.

1.3 MAINTENANCE SAFETY

WARNING!

- Turn off the pressure washer before performing any maintenance. Failure to do so can cause severe personal injury or death.
- Before performing maintenance, depressurize the unit by turning off the water supply and squeezing the trigger of the spray wand until water stops flowing.
- After any maintenance is performed, wash immediately using soap and clean water because repeated exposure to lubricant may cause skin irritation.
- Do not clean the filter element with flammable liquids like gasoline.
- Allow the pressure washer set to cool down before performing any maintenance.
- Do not spray the pressure washer itself.
- DO NOT let water in the pump freeze. See the storage section for further details on how to store properly during the winter.
- See 'Maintenance Schedule' for the recommended maintenance schedule.

1.4 OTHER SAFETY TIPS

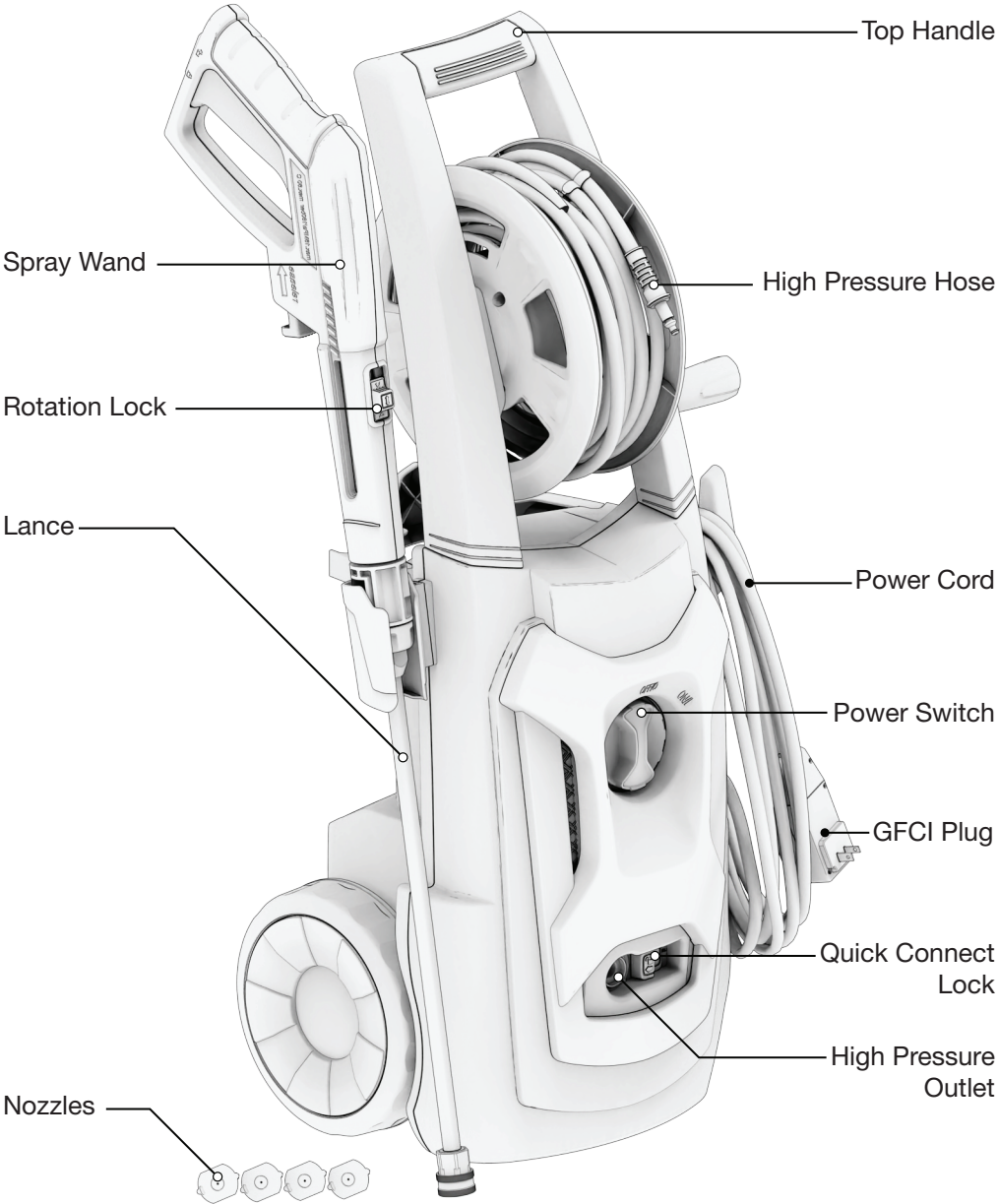
WARNING!

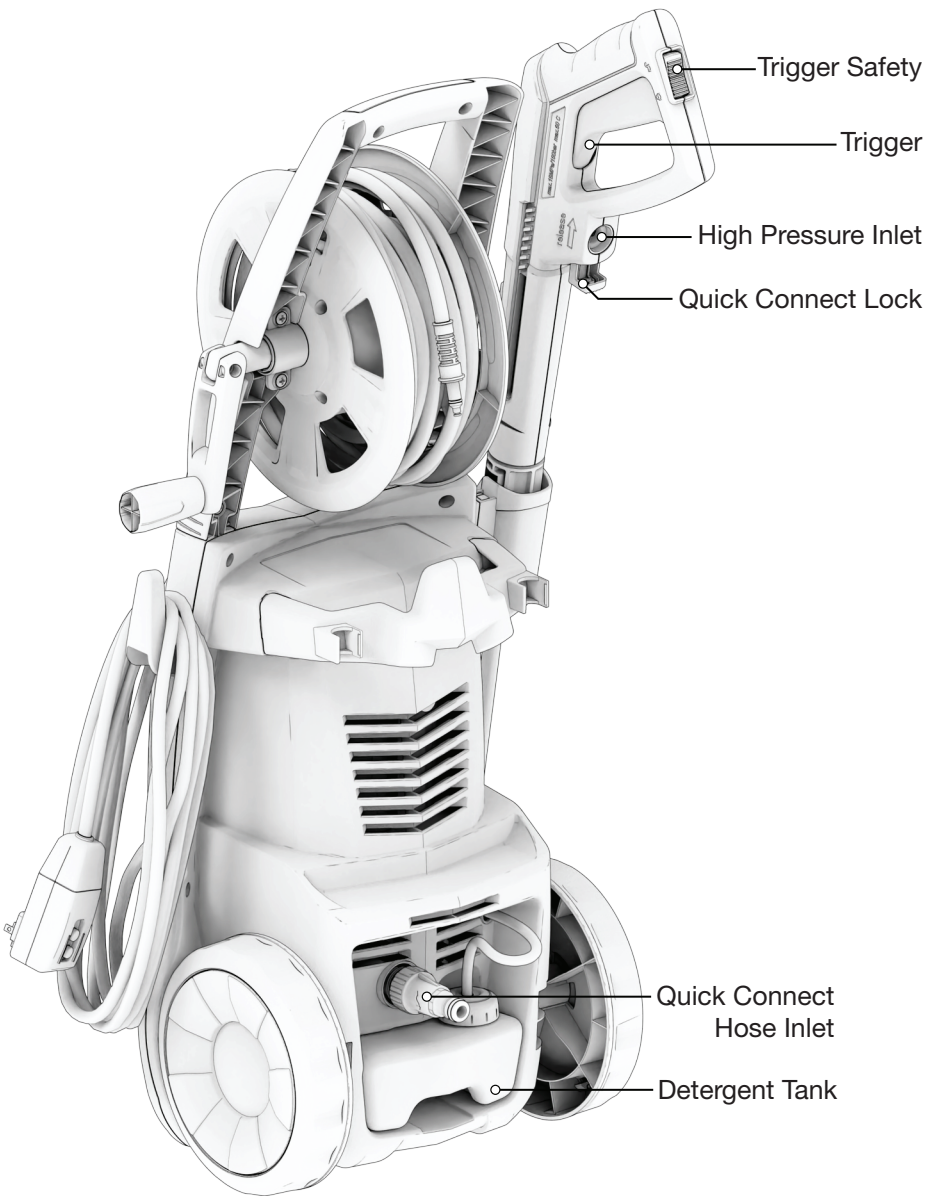
- Pressure washers vibrate in normal use. During and after the use of the pressure washer, inspect the pressure washer as well as hoses connected to it for damage resulting from vibration. Have damaged items repaired or replaced as necessary. Do not use hoses that show signs of damage such as broken or cracked insulation or damaged connectors.

2. LEARN ABOUT YOUR PRESSURE WASHER

This section will show you how to identify key parts of your pressure washer. Going over the terminology below will make sure we're on the same page.

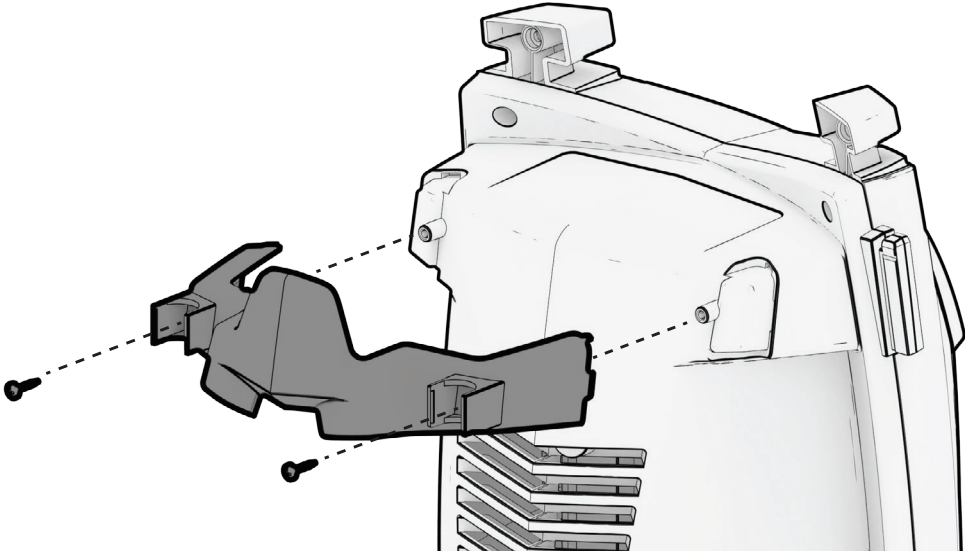
2.1 COMPONENT IDENTIFICATION





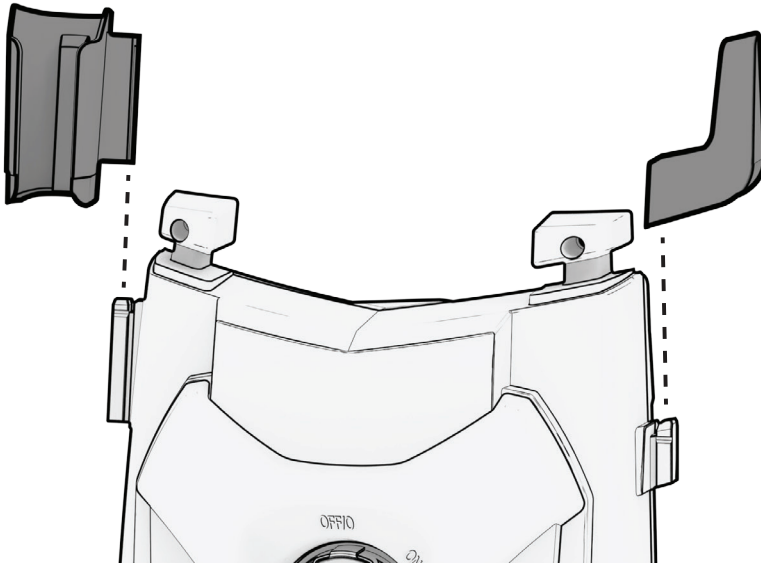
2.2 ASSEMBLY INSTRUCTIONS

Assembling the Rear Rack



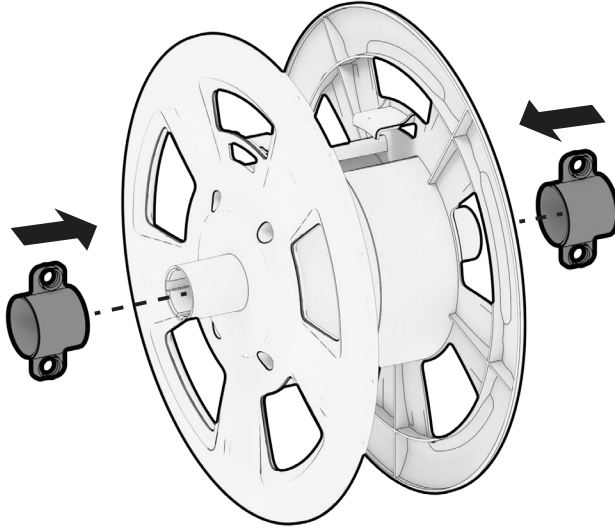
1. Slide Rear Rack into place, secure with screws.

Assembling the Side Holders

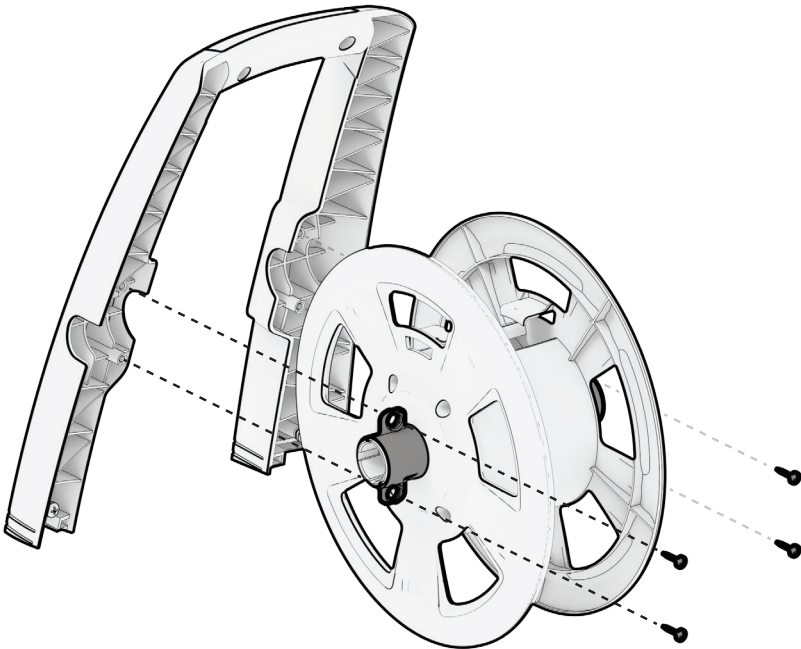


1. Slide Tool Holder and Power Cord Holder into place securely.

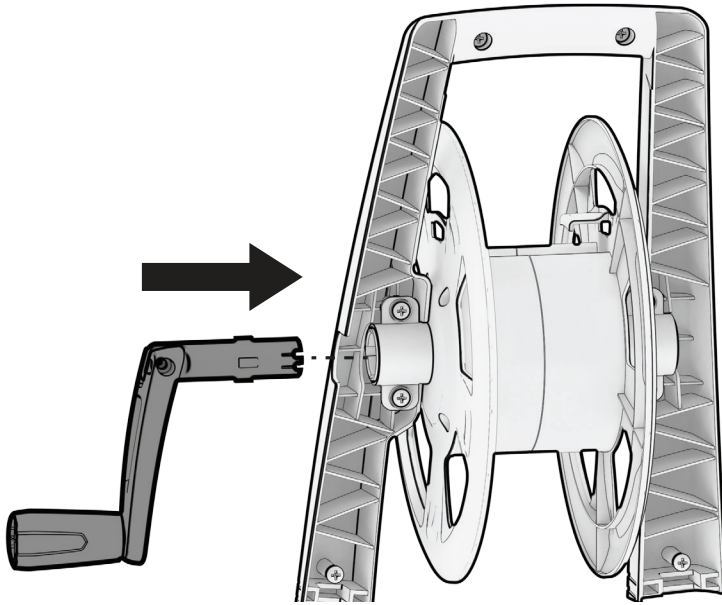
Assembling the Hose Reel and Top Handle



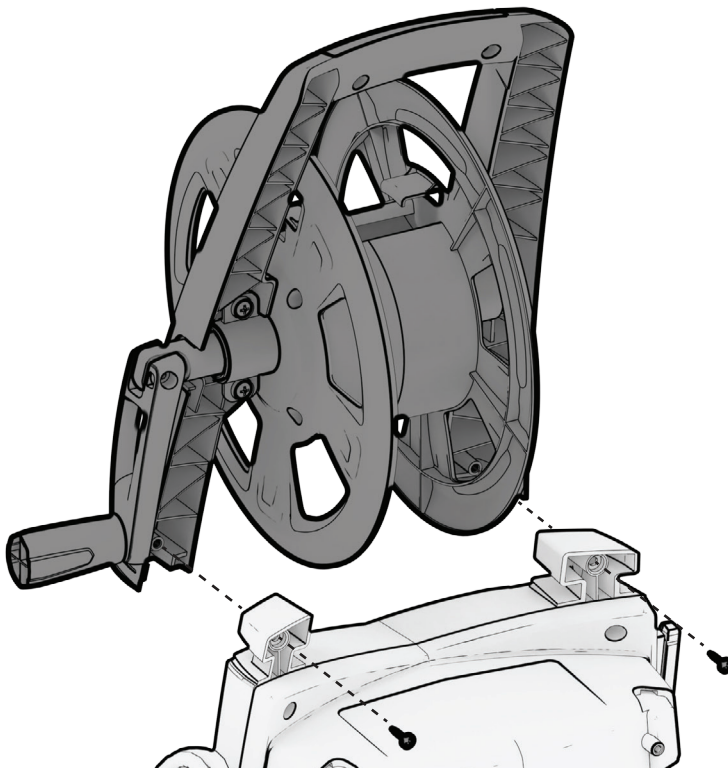
1. Attach axle connectors to the hose reel.



2. Mount hose reel to top handle. Secure with screws.



3. Mount hose reel handle into hose reel axle until it securely clicks in place.



4. Mount top handle and hose reel assembly onto pressure washer base. Secure with screws.

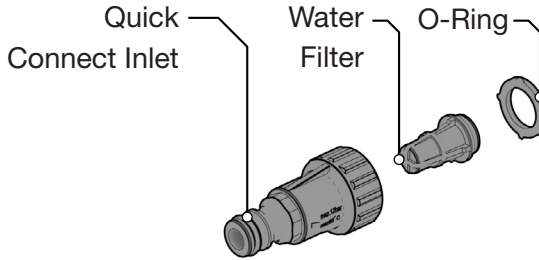
3. PRE-OPERATION CHECK

These quick checks should be done each time the pressure washer is started to ensure you get the most out of your pressure washer.

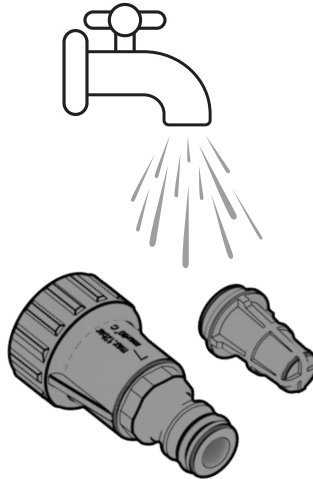
Set the pressure washer on a level surface and the power switch to OFF.

3.1 PREPARE THE WATER INLET FILTER

Check the water inlet filter before each use.



1. Gently separate the pieces of the Quick Connect Hose Inlet.

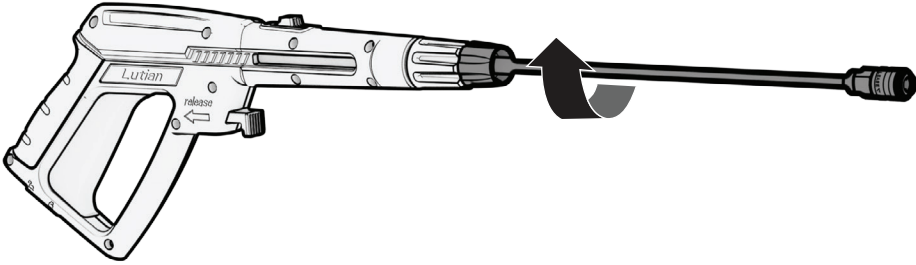
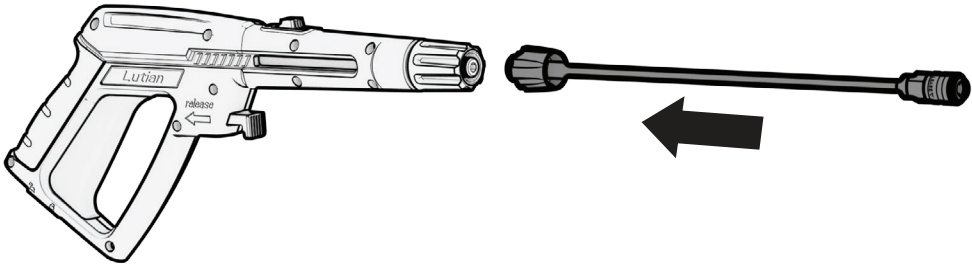


2. Rinse the Water Inlet Filter pieces using clean water.
3. Re-assemble the Quick Connect Hose Inlet pieces.

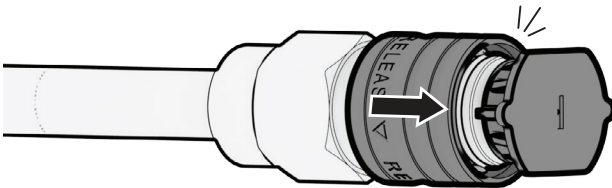
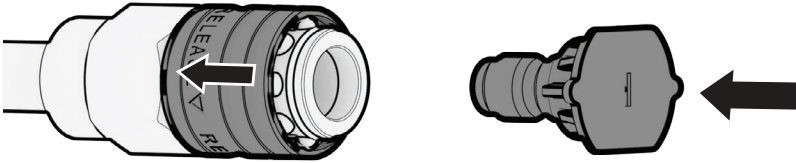
NOTE

- Always inspect water inlet filter before using the pressure washer.
- Never run the pressure washer without a water filter, doing so will quickly degrade the unit.

3.2 SPRAY WAND AND HOSE ASSEMBLY

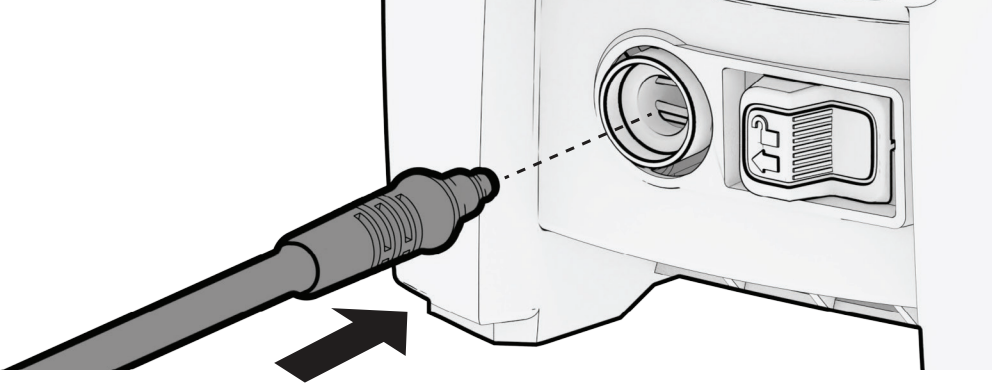


1. Align the lance and gun's notches.
2. Push down firmly and twist clockwise to lock lance into place.

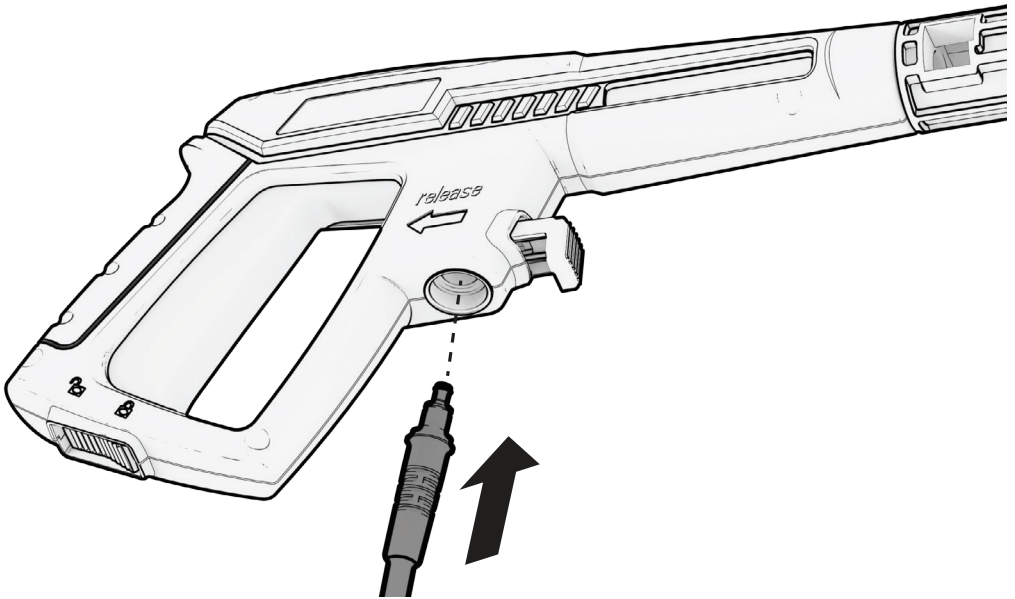


3. If using a pressure nozzle, slide the lance's quick release sleeve back and firmly secure nozzle into place.
4. lock the pressure nozzle by sliding the lance's quick release sleeve forward.

3.3 HOOK UP THE HIGH PRESSURE HOSE



1. Attach one end of the high pressure hose to the high pressure outlet on the unit by pressing firmly.

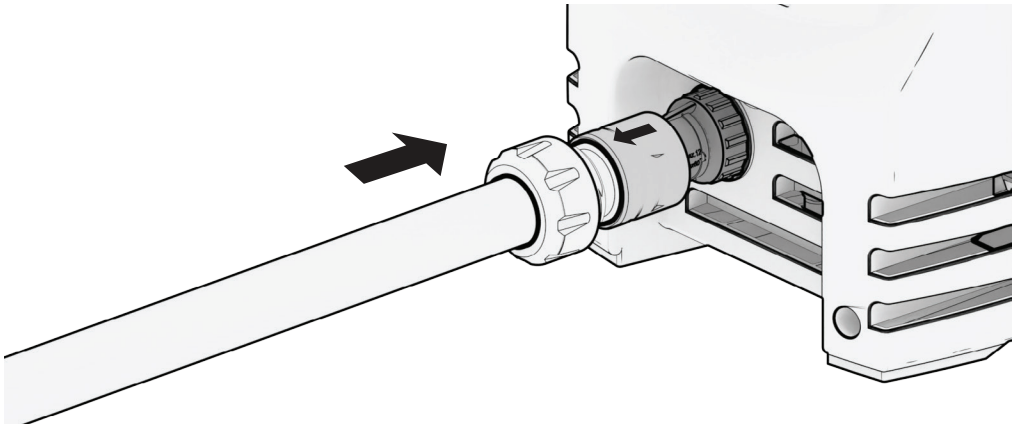
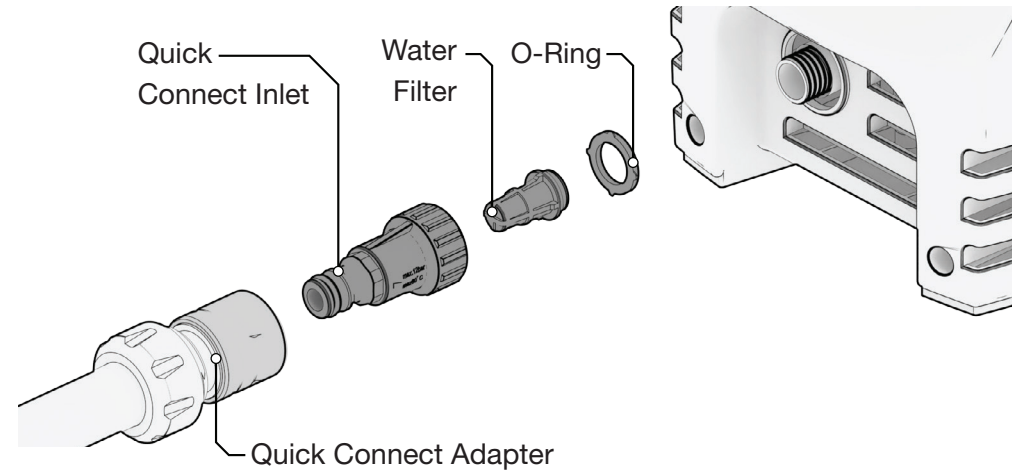


2. Attach the other end of the high pressure hose to the high pressure inlet on the gun by pressing firmly.

NOTE

- Double check the high pressure hose is securely tightened. The pressure may cause bodily harm if the fittings separate.

3.4 HOOK UP THE WATER SUPPLY HOSE



1. Connect a garden hose to an outdoor tap. Run water through the garden hose to clear out any debris.
2. Pull out and inspect the water inlet filter to ensure it is in place and free of debris.
3. Using a quick connect hose adapter (not included), pull back the garden hose's quick connect sleeve and connect the garden hose to the quick connect inlet. Use the shortest hose possible to complete the job, do not use a hose longer than 50 feet (15.2m).

NOTE

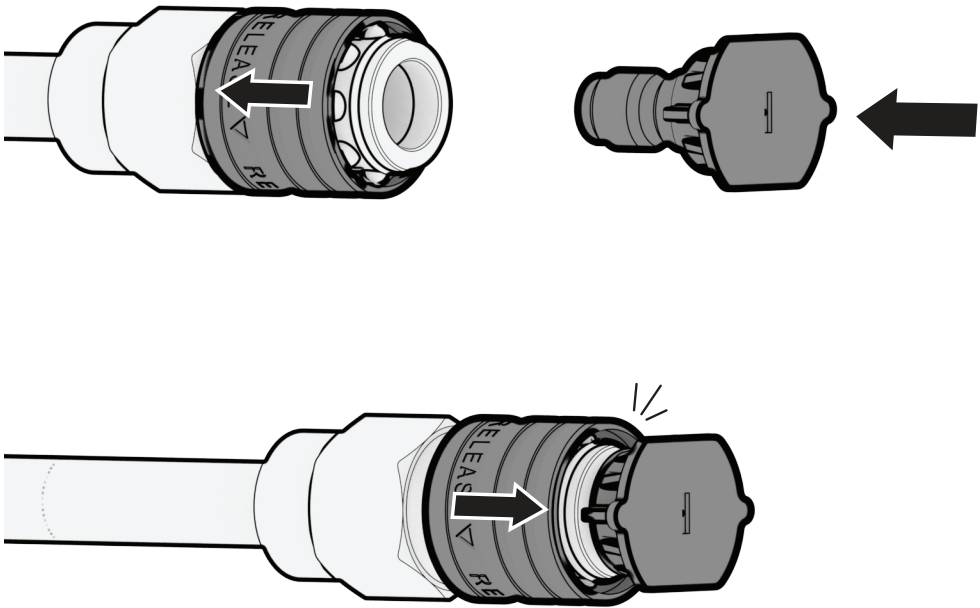
- Do not operate the pressure washer with missing or damaged inlet filter.
- Do not start the engine without the water supply connected and turned on. Water supply must deliver at least 1.8 GPM. Do not draw from standing water supply. Water temperature must not exceed 104°F (40°C).

3.5 ATTACH SPRAY NOZZLES

⚠ WARNING!

High pressure in nozzle area. Risk of injury caused by improperly locked nozzle.

When replacing nozzles with the unit running, the trigger safety lock **MUST be engaged.**



1. If using a pressure nozzle, slide the lance's quick connect collar back and firmly secure nozzle into place.
2. The lance's quick connect collar will spring forward when firmly secured.

Nozzle Selection Guide

	0°	15°	25°	40°	65°
Paint Stripping	✓	✓			
Concrete	✓	✓	✓		
Siding			✓	✓	✓
Deck			✓	✓	✓
Gutters			✓	✓	✓
Vehicles				✓	✓
Windows				✓	✓
Furniture				✓	✓
Detergent					✓

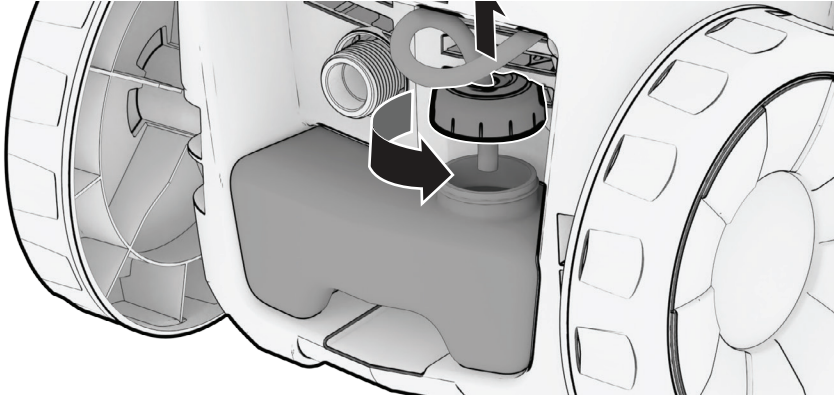
NOTE

- This is a list of compatible nozzle sizes. Nozzles shown above might not be included in your purchase.
- 0° RED nozzle – maximum pressure: outputs a very concentrated stream of water. This nozzle should be used for removing tough stains and debris from concrete and metal. **THIS NOZZLE WILL DAMAGE MOST SURFACES. DO NOT** use on wood, siding, decks, painted surfaces, windows, or vehicles.
- 15° YELLOW nozzle: used to prepare surfaces for painting. Can be used for surface preparation such as removing dirt, mildew, or paint from hard surfaces. **DO NOT** use on wood, windows, or vehicles.
- 25° GREEN nozzle: gentle lifting and cleaning for most surfaces. This nozzle is safe to use on most surfaces, attempt cleaning with this nozzle before using the YELLOW or RED nozzles. **DO NOT** use on windows or vehicles.
- 40° WHITE nozzle: safe to use on all surfaces including windows, blinds, and vehicles.
- 65° BLACK soaping nozzle: low pressure detergent nozzle. Use when applying detergents for your cleaning projects. Detergents will only be drawn from the detergent source when this nozzle is equipped.

3.6 WORKING WITH DETERGENTS

NOTE

- Detergents are automatically applied with low pressure nozzles.
- Detergent will not be applied with the high pressure nozzles.
- DO NOT use bleach.



1. Attach black soap nozzle to the spray wand.
2. Prepare detergent as required by job, follow directions as supplied from manufacturer.
3. Remove cap from detergent compartment and fill. Replace when filled.
4. Spray detergent mixture on surface with long, even and overlapping strokes. Allow detergent to set for about 3 minutes before rinsing (do not allow detergent to dry on surface or it may cause streaking or cause damage to the surface).
5. Rinse surface with clean water by switching to a high pressure nozzle (0, 15, 25, or 40 degree nozzles)
6. To clean equipment after use, fill the detergent tank with clean water. Spray clean water through the black low pressure soap nozzle until tank is empty then shut off the engine.

3.7 DETERGENT DILUTION

NOTE

- Dilution ratio of this pressure washer is 1:20.

The washer will draw 1 part detergent solution for every 20 parts water used. Use this to calculate the proper dilution ratio when combining your detergent and water in your detergent container.

For example, if your detergent requires a dilution of 1:120, you should only dilute it with 6 parts water to 1 part detergent in the detergent container, before allowing the pressure washer to further dilute it to 1:120.

NOTE

- Only use mild, environmentally friendly detergents intended for use with pressure washers. Never use aggressive chemicals (like bleach), abrasive detergents, or similar to avoid damage to your health, the product, and the environment.

Remaining chemicals that dry in the system may cause damage. Damage caused by chemical residue will not be covered under warranty.

3.8 CHECK THE WATER SUPPLY

- Check local regulations of your municipal water company to check if a backflow prevention device is required when hooking up to drinking water. This ensures no feedback of chemicals will return to the water supply. Use a water filter to avoid potential damage from dirt in the water supply.
- Garden hose must be at least 1/2" interior diameter
- Flow rate of water must not fall below 1.45 GPM. Flow rate can be determined by running hose into an empty 5 gallon pail for 1 minute.
- The water supply temperature must not exceed 40°C/104°F.
- Never use the pressure washer to draw in water contaminated with solvents eg. paint thinners, gasoline, oil etc.
- Always prevent debris from being drawn into the unit by using a clean water source and additional water filter.
- DO NOT operate pressure washer without the water supply turned on.

4. STARTING YOUR PRESSURE WASHER

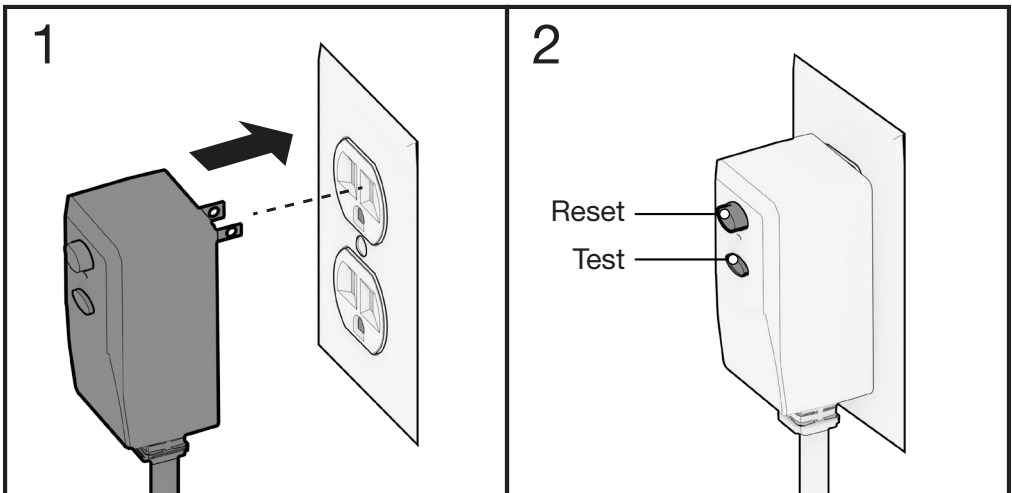
⚠ WARNING!

Do not run the pump without connecting to the water supply and turning the water on. Failure to do so could damage the pressure washer. Failure to follow these instructions will void product warranty.

⚠ DANGER! ⚠

NEVER direct the water flow at people. The high pressure jet can be dangerous if misused and must not be directed at people, animals, electrical devices or the unit itself. **DO NOT TREAT FLUID INJECTION AS A SIMPLE CUT!** Seek medical help immediately.

Operating GFCI Plug

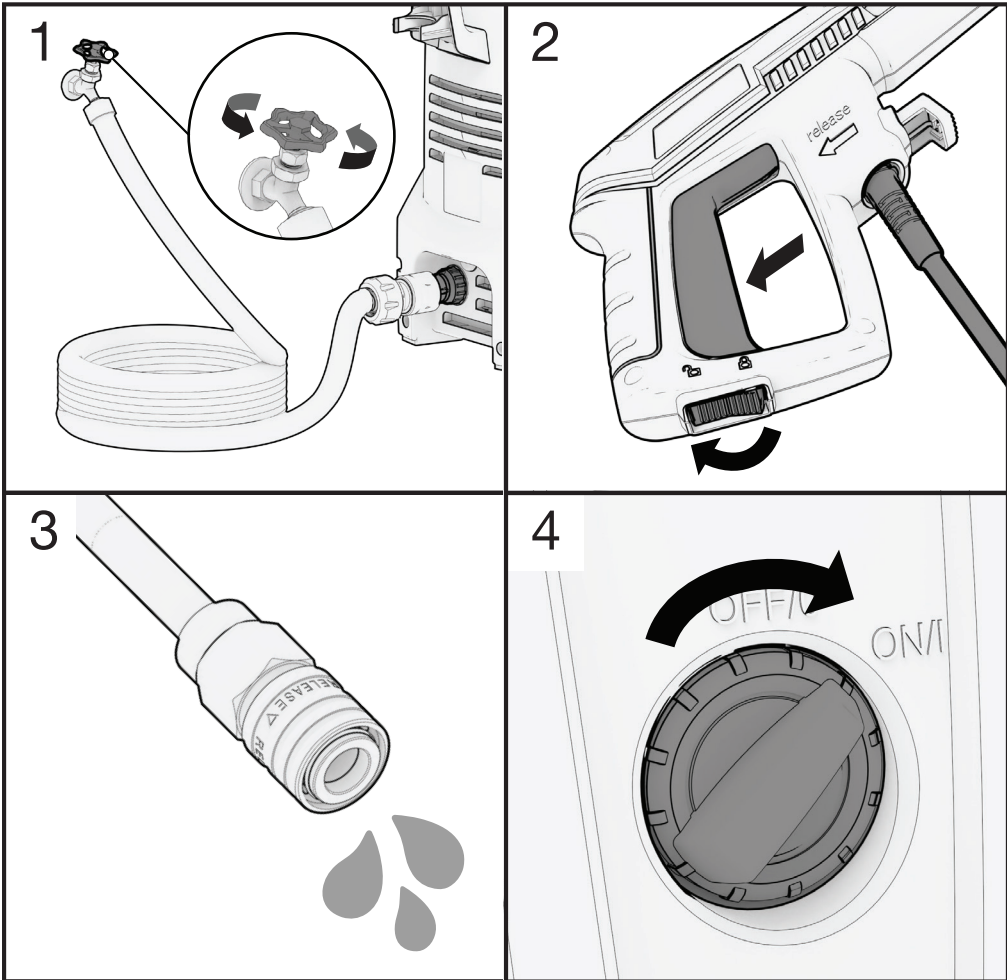


1. Insert GFCI Plug into a 120V wall outlet that can output up to 15A or 1800w. The power LED should light up.
2. Press the 'Test' button. The GFCI breaker should switch off. Press the 'Reset' button. The GFCI breaker should switch back on. If the GFCI plug does not operate this way, stop use immediately and contact customer support.

NOTE

- If the GFCI detects any shorts during operation, the GFCI breaker will switch off. Ensure no water leaks are near the unit's electronics and press the 'Reset' button. If GFCI breaker does not switch back on, stop use immediately and contact customer support.

Starting Pressure Washer

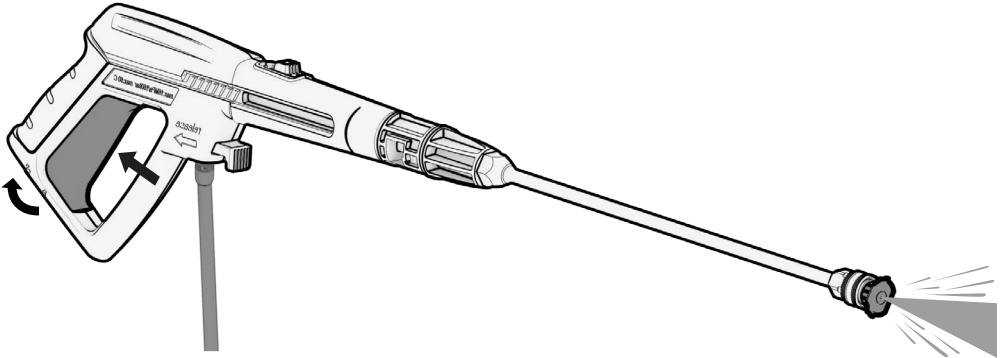


Before use, follow all steps in Section 3: "Pre-Operation Check".

1. Turn on the water supply from the garden hose. Check for leaks at the quick-connect and high-pressure ports.
2. Unlock the spray wand's trigger safety, and pull the trigger.
3. Hold the spray wand's trigger to purge the system of any air before use.
4. Turn the pressure washer's power switch to the 'ON' position.

5. PRESSURE WASHER OPERATION

5.1 USING THE SPRAY WAND

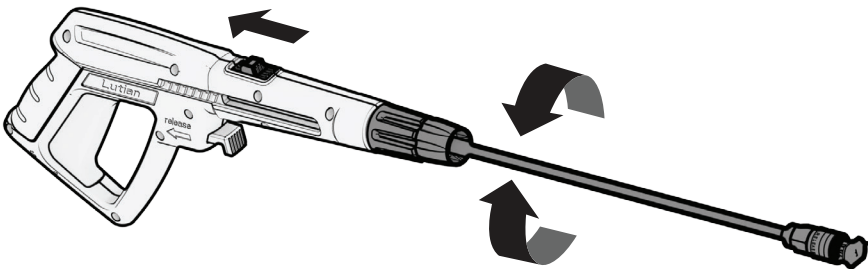


1. Unlock the spray wand's trigger safety, and pull the trigger.
2. Hold the spray wand's trigger to start the high-pressure water flow.
3. To stop water flow, release the trigger.

Rinsing with the Pressure Washer

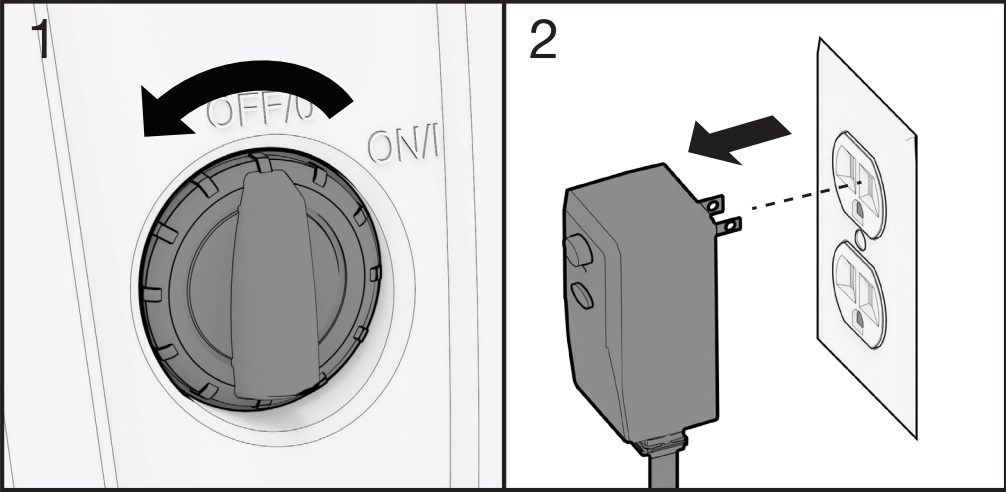
1. Test a small area first to avoid surface damage.
2. Rinse from top to bottom using long, overlapping strokes.

5.2 ROTATING LANCE

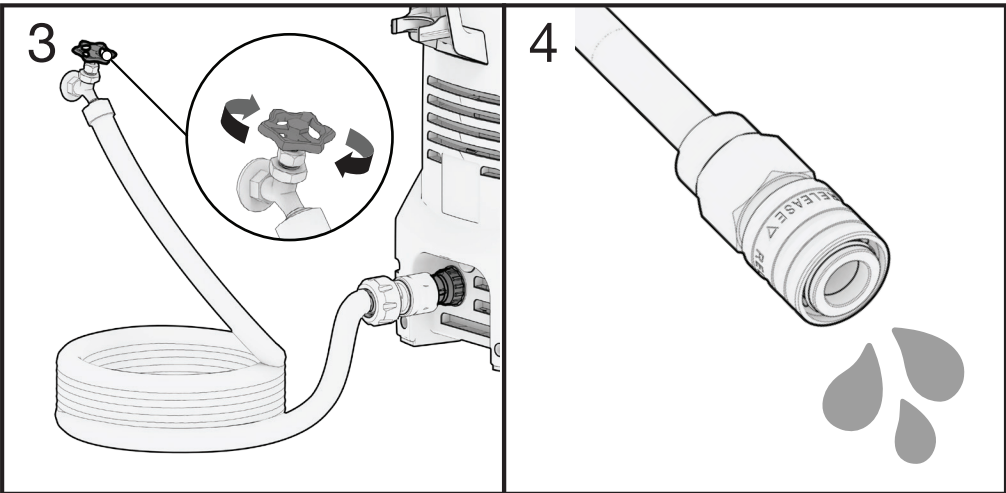


1. Disable the spray wand's rotation lock.
2. Rotate the lance clockwise or counter-clockwise.
3. Enable the spray wand's rotation lock. Ensure lance is secure.

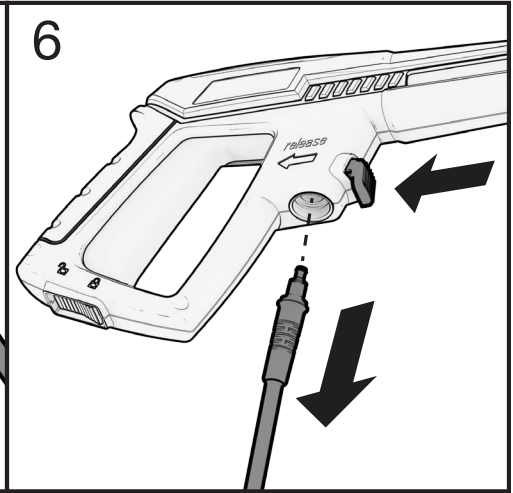
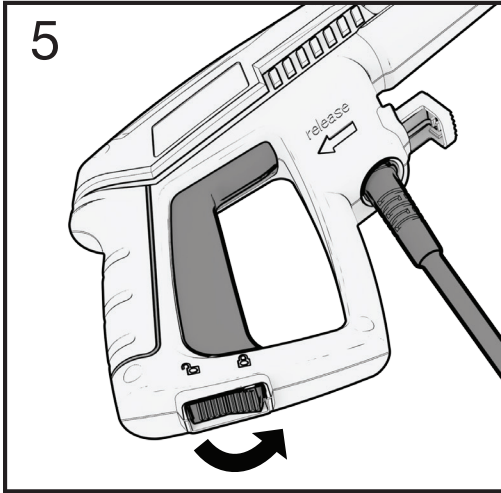
6. STOPPING THE PRESSURE WASHER



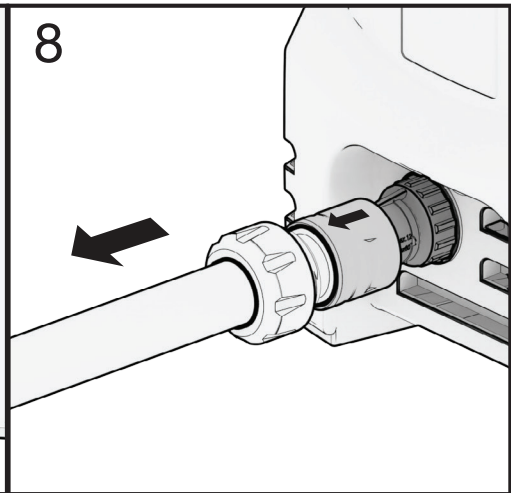
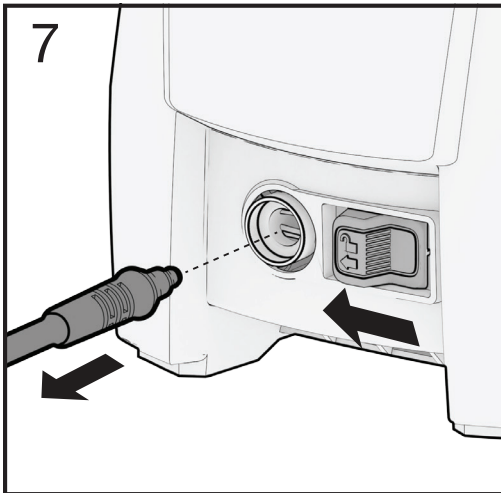
1. Turn the pressure washer's power switch to the 'OFF' position.
2. Remove the GFCI Plug from the wall socket.



3. Turn off the water supply from the garden hose.
4. Squeeze the spray wand's trigger to purge the system of any high-pressure water.



5. Lock the spray wand's trigger safety.
6. Hold down the spray wand's quick release lock, and remove the high-pressure hose.



7. Hold down the pressure washer's quick release lock, and remove the high-pressure hose.
8. Remove the quick release garden hose.

7. MAINTENANCE

⚠ WARNING!

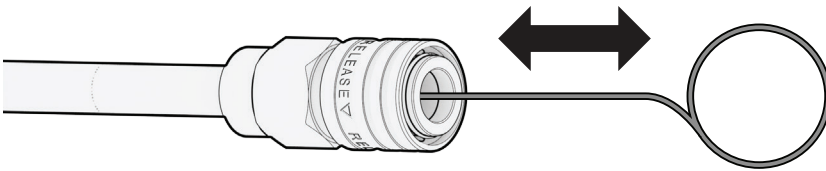
Do not perform maintenance on the pressure washer while the unit is connected to an outlet, powered on, or is connected to water. Failing to do so will result in damage to the pressure washer, and injury to self.

Proper maintenance keeps your pressure washer in the best operating condition by ensuring safe, economical and trouble-free operation. Only use genuine parts and recommended fluids to replace the worn components. Improper maintenance may cause the pressure washer to malfunction and can lead to serious injury. Contact customer support if you have any maintenance questions.

General Inspection Tips

- Look for leaks around the intakes, hoses, and valves.
- Have all the leaks repaired before continuing operation.
- Check for dirt and debris and clean as necessary.

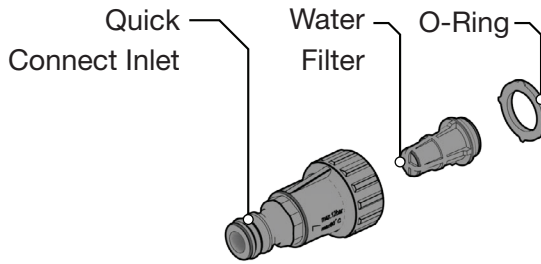
7.1 NOZZLE CLEANING



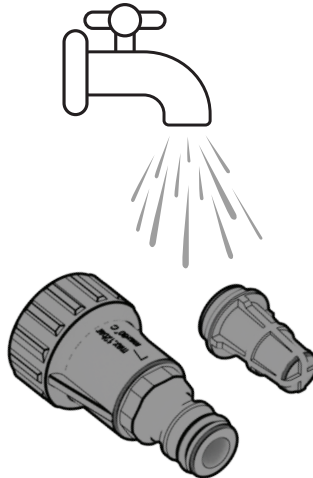
Use the included nozzle cleaning tool to loosen up any stuck particles in the lance and nozzles. Flush with water.

7.2 CLEANING THE WATER INLET FILTER

A dirty water filter will restrict flow into the unit. Clean and maintain the water filter regularly, especially in dirty or dusty areas.



1. Gently separate the pieces of the Quick Connect Hose Inlet.



2. Rinse the Water Inlet Filter pieces using clean water.
3. Re-assemble the Quick Connect Hose Inlet pieces.

NOTE

- Always inspect water inlet filter before using the pressure washer.
- Never run the pressure washer without a water filter, doing so will quickly degrade the unit.

8. TRANSPORTATION & STORAGE

8.1 LONG TERM STORAGE - PRESSURE WASHER

1. Follow all directions to shut down the pressure washer.
2. Ensure all high-pressure water has been purged from the spray wand.
3. Tilt the unit side to side to ensure all water has been removed from all hoses, inlets, and outlets.
4. Store above temperatures of 0° C.

8.2 LONG TERM STORAGE - HOSES

1. Drain all water from the high pressure hose and wrap it onto the holder.
2. Drain all water from the spray wand by holding it vertically with the nozzle down and squeezing the trigger until the water stops flowing.
3. Store above temperatures of 0° C.

9. TROUBLESHOOTING

Problem	Possible Cause	Solution
Not reaching high pressure	<ul style="list-style-type: none"> ■ Low pressure nozzle is attached ■ Low water supply ■ Water supply is restricted ■ Water inlet filter is clogged ■ Nozzle obstructed ■ High pressure hose is too long 	<ul style="list-style-type: none"> ■ Remove and attach a high pressure nozzle ■ Water supply must be at least a 1/2" diameter hose minimum ■ Check hose for leaks, kinks, or blockages. Ensure the tap is all the way open. ■ Remove filter and rinse in warm water. Reinstall. ■ See nozzle cleaning instructions ■ Max high pressure hose of 100 feet (30m)
Detergent does not mix with water	<ul style="list-style-type: none"> ■ Spray wand not in low pressure ■ Chemical not in cleaning solution ■ Chemical too thick 	<ul style="list-style-type: none"> ■ Remove and attach the black low pressure nozzle. Detergents will only be drawn at low pressure ■ Dilute chemical. It should be the same consistency as water

<p>Inconsistent or low pressure during use</p>	<ul style="list-style-type: none"> ■ Water supply is restricted ■ Water supply not turned on full power ■ Nozzle is clogged ■ Spray wand leaks ■ Air in line ■ Inlet hose is clogged ■ Water supply temperature is over 104°F ■ Pump is faulty 	<ul style="list-style-type: none"> ■ Inspect garden hose for kinks, leaks, or blockages. Use min. of 1/2" garden hose ■ Open water supply tap all the way ■ Clean nozzle ■ Check all connections. Use sealant tape if necessary ■ Squeeze trigger handle to remove air in line ■ Clean inlet filter in warm water ■ Use cool water supply ■ Contact technical support
<p>Water leaking at spray wand connection or pump</p>	<ul style="list-style-type: none"> ■ Loose connections ■ Worn spray wand o-ring ■ Piston packings worn ■ Worn pump o-ring ■ Pump head or tubes damaged from freezing 	<ul style="list-style-type: none"> ■ Tighten ■ Replace ■ Contact technical support ■ Contact technical support ■ Contact technical support

10. TECHNICAL SPECIFICATIONS

		5044-039
Pressure washer	Rated PSI	1450
	PSI Max.	2030
	GPM Max.	1.8
	High Pressure Hose	20 ft. (6.1 m)
	Motor Power	1800w
	L x W x H	13.9 x 11.3 x 30.7 in.
	Gross Weight	16.9 lbs

11. LIMITED WARRANTY

This product is distributed by:

Midland Power Inc.

376 Magnetic Drive, Toronto, ON M3J 2C4, Canada

Warranty

Beginning at the time of retail purchase and for the duration of the warranty period Midland Power Inc. (Midland) warrants that Equipment manufactured by it is warranted to be free from defects in material and workmanship. Midland will, at its sole discretion, replace or repair any part(s) which, upon evaluation and testing by Midland or an authorized service center, show a defect in workmanship or material. Valid proof of purchase must be submitted online for registration with Midland, or presented to Midland at time of claim, for warranty to be valid. This warranty is not transferable from the original owner.

Limited Warranty Period:

Non-commercial use:

- Year 1 - Parts and Labour
- Year 2 and 3 - Parts

Commercial use:

- First 6 Months - Parts and Labour

Commercial use includes utilization of the purchased product for a business or non-profit organization, or to financially benefit an individual. This includes, but is not limited to, usage in the context of a financial transaction, usage on commercial or non-profit property, or usage for advertising or marketing purposes.

Replacement parts sold to a consumer or installed by an authorized service center are warranted for a period of 90 days from date of purchase. Labour must be performed by an authorized service center unless given Midland's prior written approval. Midland will not bear any transportation or shipping fees to or from an authorized service center. Service calls, travel charges, overtime, or weekend rates, are not covered.

This warranty does NOT cover:

- Any repairs required as a result of any parts not supplied by Midland, and this part is responsible for the failure or malfunction;
- Any Equipment modified, altered, disassembled or remodelled;
- Any repairs required as a result of a failure to install, maintain, store, transport, or operate the Equipment in accordance with standard

practices set out in the user guide;

- Damage that occurred after receipt of equipment, not caused by defects in workmanship or material;
- Normal maintenance services, as outlined in the user guide and intended for a consumer to perform;
- Replacement of parts made in connection with normal maintenance services including oils, adhesives, additives, fuel, filters, brushes, belts, lubricants, spark plugs, gaskets, seals, fasteners, wires, tubes, pipes, fittings, wheels, batteries, and other expendables susceptible to natural wear;
- Any accessory or attachment.

Midland disclaims any responsibility for loss of time or use of the product, transportation, or towing costs or any other indirect, incidental, or consequential damage, inconvenience or commercial loss.

This warranty is the entire and only warranty given by Midland for Midland products or equipment. No agent or employee is authorized to extend or enlarge this warranty on behalf of Midland by any written or verbal statement or advertisement.

Enjoy!

Be sure to check www.benchmark.midlandpowerinc.com for updates regarding your product.





Customer Service

Online: www.benchmark.midlandpowerinc.com

E-mail: support@midlandpowerinc.com

Toll Free: 1-877-528-3772



BENCHMARKTM_{MC}

5044-039

BENCHMARK™

5044-039

2,000 PSI ELECTRIC PRESSURE WASHER



MANUAL

BENCHMARKTM

**MIDLAND
POWER** 

Ce produit est pris en charge par **Midland Power**.
Contactez-nous directement pour obtenir de l'aide sur la
garantie et tout autre assistance. Ne retournez pas ce produit
en magasin.

Vous devez vous enregistrer en ligne pour valider votre
garantie. Cela ne prend qu'une minute... faites-le maintenant
pendant que vous avez toujours votre reçu d'achat.

Enregistrer votre produit en ligne

[www.benchmark.midlandpowerinc.com/
register-warranty](http://www.benchmark.midlandpowerinc.com/register-warranty)



L'assistance pour votre produit est disponible en ligne, y
compris les pièces, les emplacements des centres de service,
et les conseils d'experts en direct

Visitez-nous en ligne à

www.benchmark.midlandpowerinc.com



Ou appelez-nous en tout temps au **1-877-528-3772**.

Merci d'avoir choisi Benchmark!

Vous avez hâte de démarrer, alors nous garderont cette section courte.

LISEZ CE GUIDE EN ENTIER AVANT D'UTILISER CE PRODUIT ET CONSERVEZ-LE POUR UNE UTILISATION ULTÉRIEURE.

Ce guide de l'utilisateur comprend des instructions importantes à suivre sur la sécurité, la configuration, le fonctionnement et l'entretien du produit. Toutes les informations contenues dans ce guide sont basées sur les informations disponibles au moment de l'impression. Ce guide ou des éditions révisées peuvent être téléchargés sur notre site Web. Aucune partie de cette publication ne peut être reproduite sans autorisation écrite.



CET ARTICLE RÉPOND À TOUS LES REQUIS DE CERTIFICATION DE :



©2024 Benchmark. All Rights Reserved.

M02553_Manual_FR_2024-11-08

TABLE OF CONTENTS

1. Sécurité	1
2. En savoir plus sur le nettoyeur haute pression	4
3. Vérification préalable à l'utilisation	9
4. Démarrage de le nettoyeur haute pression	17
5. Utilisation de le nettoyeur haute pression	19
6. Arrêt du nettoyeur haute pression	20
7. Entretien	22
8. Transport et remisage	24
9. Dépannage	25
10. Spécifications techniques	26
11. Tout sur la garantie	27

1. SÉCURITÉ

1.1 SÉCURITÉ DES OPÉRATEURS

▲ AVERTISSEMENT!

- Nettoyer et entretenir correctement l'appareil.
- Faire fonctionner le nettoyeur haute pression conformément aux instructions pour un service sûr et fiable.
- Avant de faire fonctionner le nettoyeur haute pression, lire attentivement le guide d'utilisation. Dans le cas contraire, elle pourrait entraîner des blessures ou des dommages matériels.
- Placer le nettoyeur haute pression à au moins trois pieds des bâtiments ou des autres équipements pendant le fonctionnement.
- Faire fonctionner le nettoyeur haute pression sur une surface plane.
- Savoir comment arrêter rapidement le nettoyeur haute pression et comprendre le fonctionnement de toutes les commandes. Ne jamais permettre à quiconque de faire fonctionner le nettoyeur haute pression sans les instructions appropriées.
- Garder les enfants, les animaux domestiques et les machines avec des pièces rotatives à l'écart pendant le fonctionnement.
- Ne pas faire fonctionner le nettoyeur haute pression sous la pluie ou la neige.
- Porter des dispositifs de protection auditive et oculaire lors de l'utilisation de cet appareil.

1.2 UTILISATION SÉCURITAIRE

⚠ AVERTISSEMENT!

- Ne JAMAIS diriger le jet d'eau vers les fils électriques, les appareils ou directement sur le nettoyeur haute pression elle-même. Des décharges électriques mortelles peuvent se produire.
- Ne JAMAIS diriger le flux d'eau vers les gens. Le jet à haute pression peut être dangereux s'il est mal utilisé et ne doit pas être dirigé vers les personnes, les animaux, les appareils électriques, ni l'appareil lui-même. NE PAS TRAITER L'INJECTION DE LIQUIDE COMME UNE SIMPLE COUPURE! Demander immédiatement une aide médicale.
- Toujours travailler sur un sol sec, solide et nivelé.
- NE PAS exposer le produit à une humidité, à la poussière ou à de la saleté excessive.
- NE PAS l'utiliser à un endroit où des vapeurs émanant de la peinture, de solvant ou de liquides inflammables représentent un risque.
- Inspecter avant chaque utilisation. S'assurer que tous les écrous, boulons, vis, raccords hydrauliques et colliers de serrage, et que toutes les roues, entre autres, sont bien serrés. Toujours vérifier
- le niveau d'huile avant l'utilisation. Ne jamais faire fonctionner le produit lorsque celui-ci est en mauvais état mécanique.
- Ne jamais déplacer ce produit pendant la pulvérisation.
- NE PAS utiliser d'acides, de solvants, de substances alcalines ou inflammables avec ce produit. Ils peuvent causer des blessures à l'opérateur et endommager l'appareil de façon permanente.
- N'utiliser que des détergents conçus pour être utilisés précisément avec une nettoyeur haute pression. L'utilisation d'autres détergents de nettoyage peut annuler la garantie.
- Le pistolet à pulvérisation bouge; le tenir à deux mains.
- Ne jamais faire fonctionner l'appareil à sec; toujours s'assurer que l'alimentation en eau est bien enclenchée avant de faire fonctionner l'appareil.
- Apprendre comment arrêter le produit et faire baisser la pression rapidement. Se familiariser avec les commandes.
- NE PAS faire fonctionner le nettoyeur haute pression sans que

l'alimentation en eau soit activée.

- NE PAS s'étirer de façon excessive ni se tenir sur une surface instable. Garder les pieds bien ancrés et maintenir son équilibre en tout temps.
- Porter une protection adéquate des yeux et des oreilles durant l'utilisation.

1.3 ENTRETIEN SÉCURITAIRE

⚠ AVERTISSEMENT!

- Avant d'effectuer l'entretien, dépressuriser l'appareil en coupant l'alimentation en eau et en appuyant sur la gâchette de la lance de pulvérisation jusqu'à ce que l'eau cesse de couler.
- Après tout entretien, se laver immédiatement à l'eau claire et au savon, car l'exposition répétée au lubrifiant peut provoquer une irritation de la peau.
- Ne pas nettoyer l'élément filtrant avec des liquides inflammables comme l'essence, car une explosion pourrait se produire.
- Laisser refroidir le nettoyeur haute pression avant d'effectuer tout entretien.
- Ne pas vaporiser le nettoyeur haute pression.
- Ne pas laisser l'eau de la pompe geler. Voir la section sur le remisage pour plus de détails sur la manière de bien remiser l'appareil pendant l'hiver.
- Voir le « calendrier d'entretien » pour connaître le calendrier d'entretien recommandé.

1.4 AUTRES CONSEILS DE SÉCURITÉ

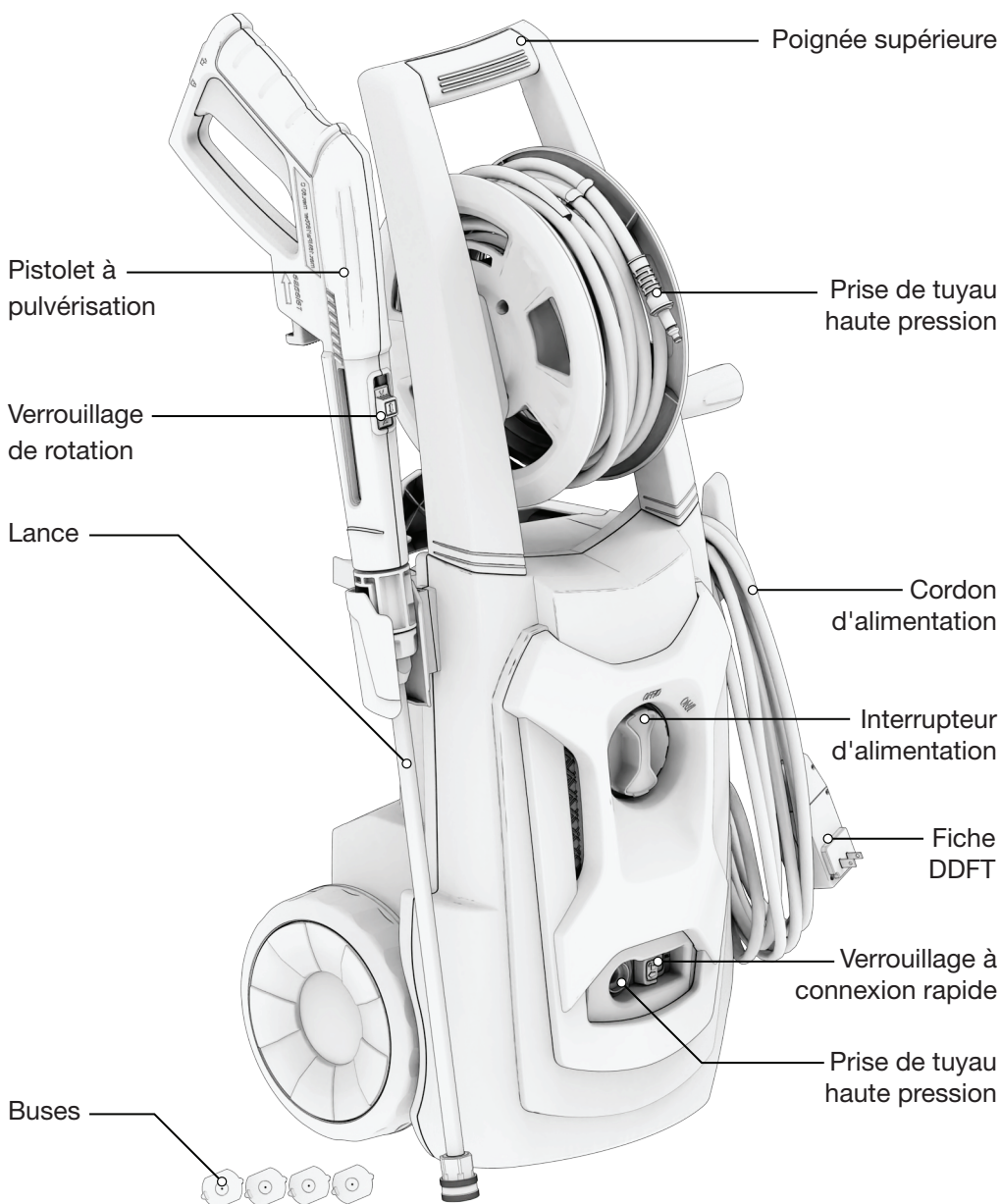
⚠ AVERTISSEMENT!

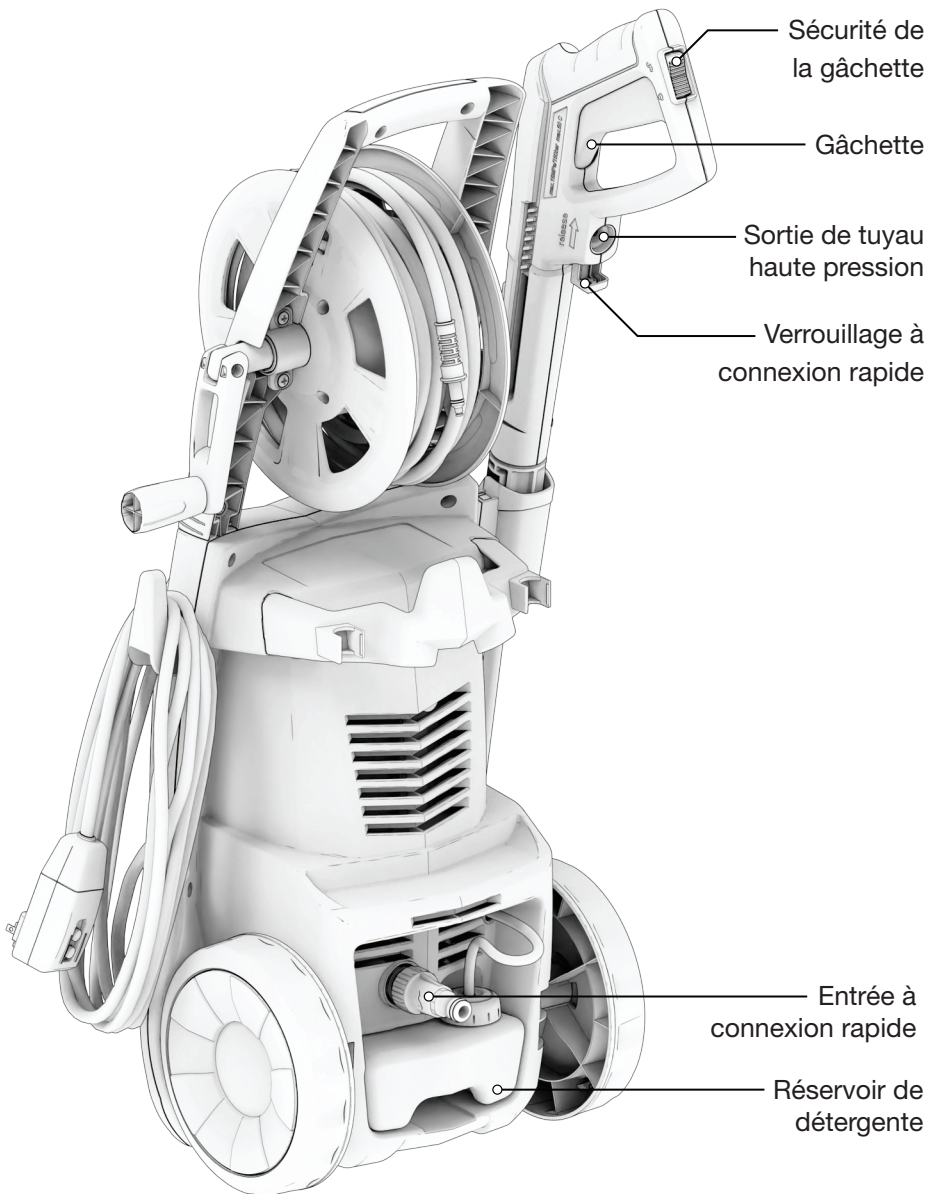
- Les laveuses à pression vibrent dans le cadre d'une utilisation normale. Pendant et après l'utilisation de le nettoyeur haute pression, inspecter le nettoyeur haute pression ainsi que les tuyaux qui y sont raccordés pour détecter les dommages découlant des vibrations. Faire réparer ou remplacer les articles endommagés si nécessaire. Ne pas utiliser de tuyaux qui présentent des signes d'endommagement tels qu'une isolation cassée ou fissurée ou des connecteurs endommagés.

2. EN SAVOIR PLUS SUR LE NETTOYEUR HAUTE PRESSION

Cette section vous montrera comment déterminer les éléments clés de votre nettoyeur haute pression. Parcourir la terminologie ci-dessous pour vous assurer que nous sommes sur la même longueur d'onde.

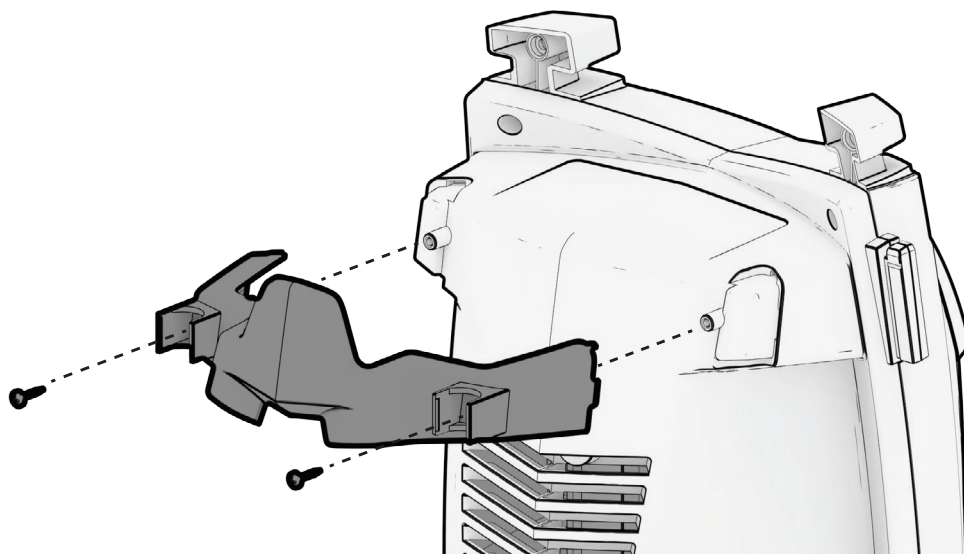
2.1 COMPOSANTS





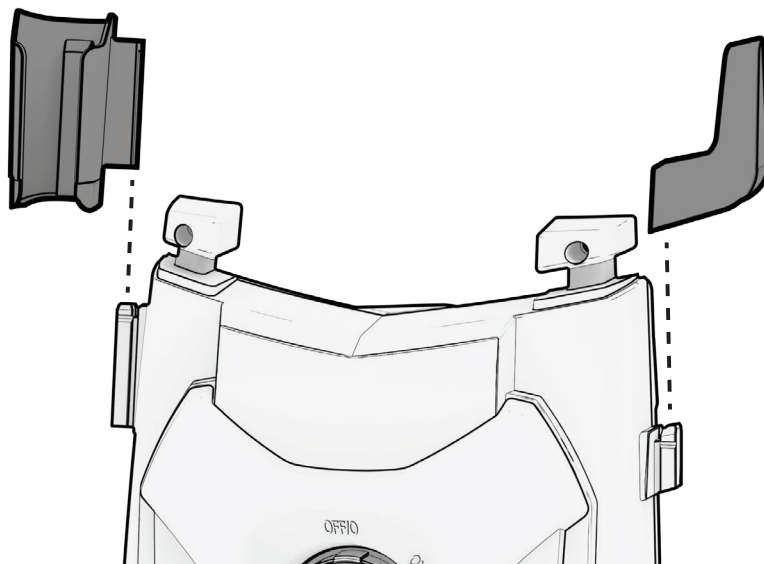
2.2 INSTRUCTIONS D'ASSEMBLAGE

Assemblage du support arrière



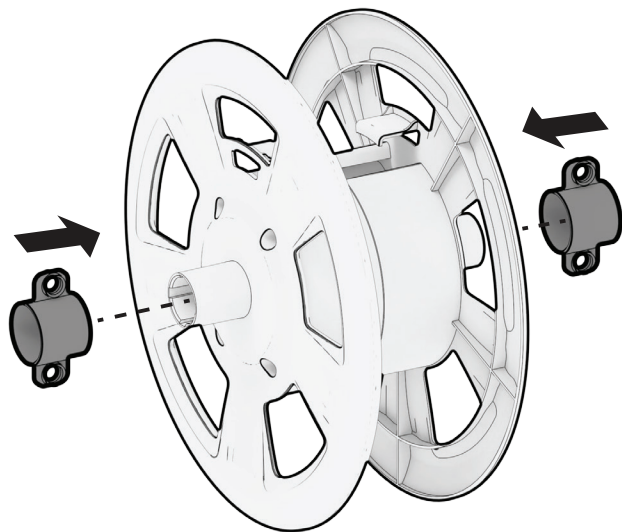
1. Assembler le support arrière et le fixer à l'aide de vis.

Assemblage des supports latéraux

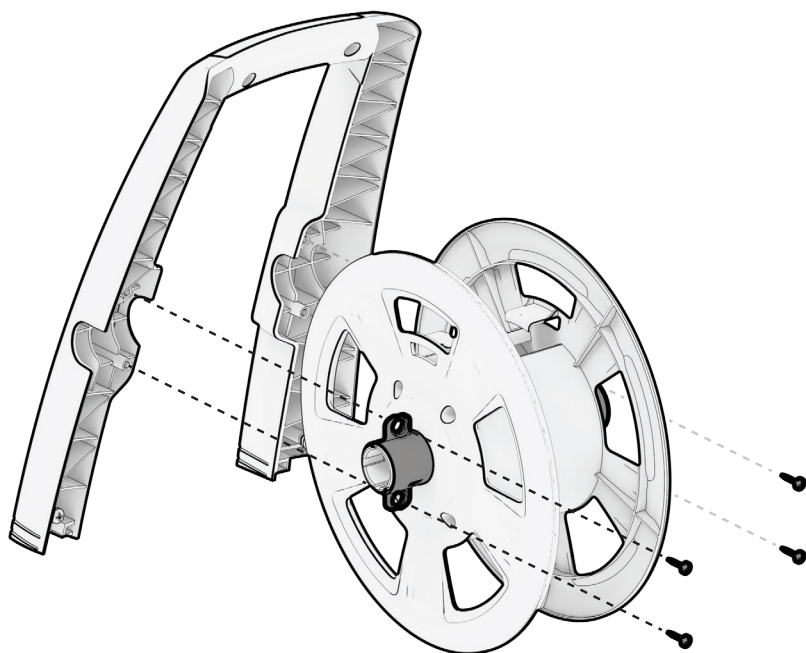


1. Faites glisser le support d'outil et le support de cordon d'alimentation pour les mettre en place de manière sécurisée.

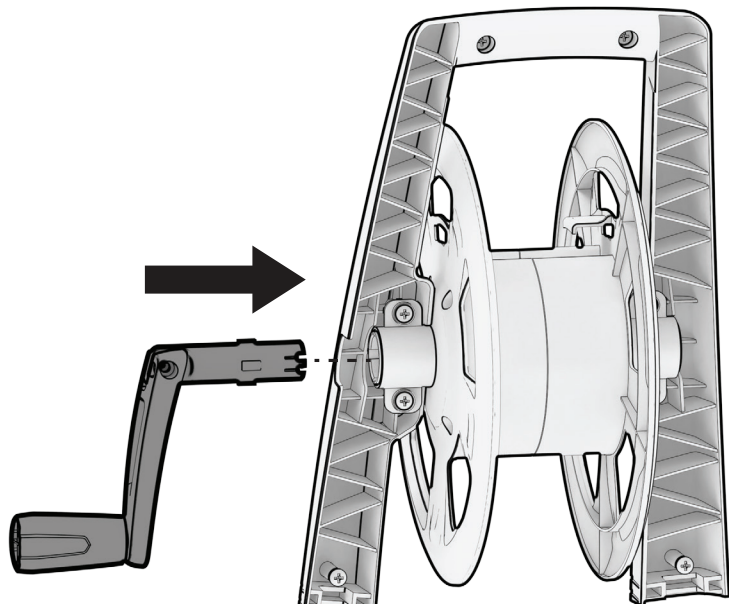
Assemblage de l'enrouleur de tuyau et de la poignée supérieure



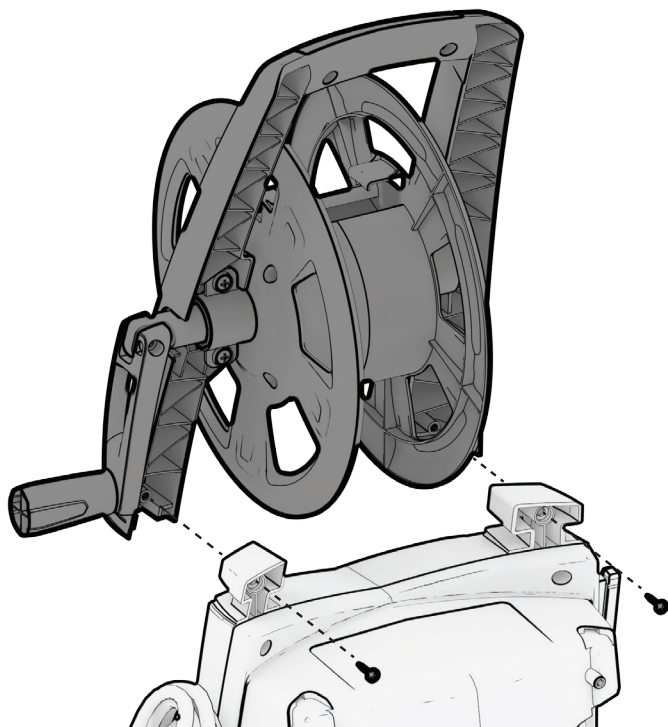
1. Fixer les connecteurs d'axe à l'enrouleur de tuyau.



2. Monter l'enrouleur de tuyau sur la poignée supérieure. Fixer avec des vis.



3. Monter la poignée de l'enrouleur dans l'axe de l'enrouleur jusqu'à ce qu'elle s'enclenche solidement.



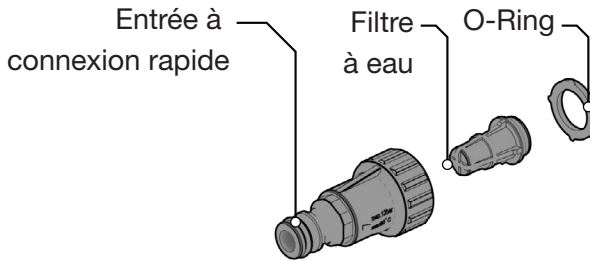
4. Monter la poignée supérieure et l'enrouleur de tuyau sur la base du nettoyeur haute pression. Fixer avec des vis.

3. VÉRIFICATION PRÉALABLE À L'UTILISATION

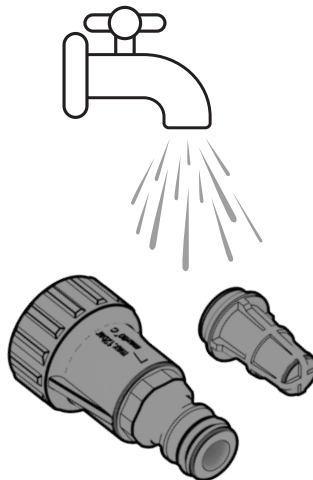
Ces vérifications rapides doivent être effectuées à chaque démarrage de le nettoyeur haute pression pour s'assurer de tirer le meilleur parti de le nettoyeur haute pression.

Placer le nettoyeur haute pression sur une surface plane et mettre l'interrupteur en position ARRÊT.

3.1 PRÉPARATION DU FILTRE DE L'ENTRÉE D'EAU



1. Séparer délicatement les pièces de l'entrée à connexion rapide.

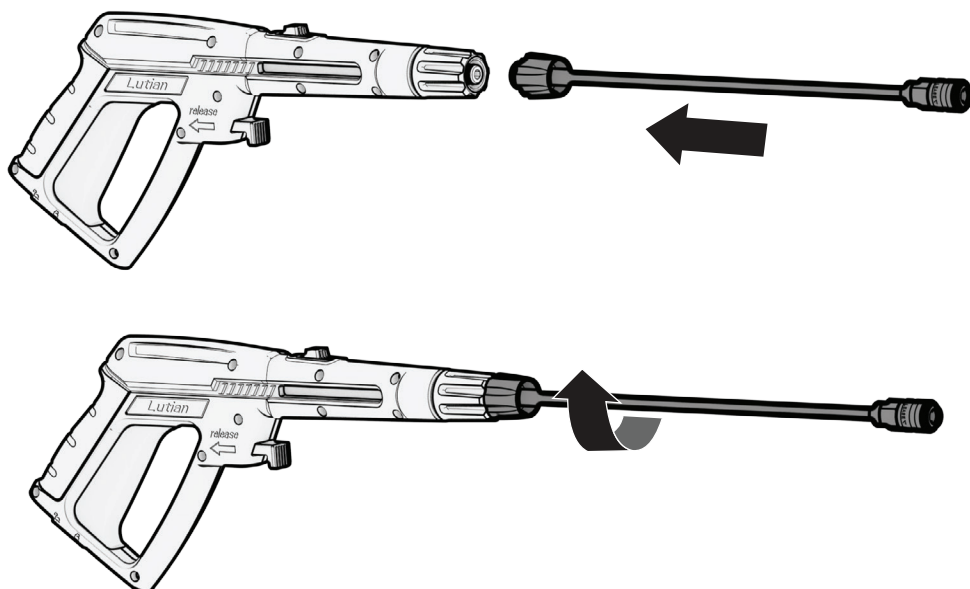


2. Rincez les pièces du filtre à eau à l'eau claire.
3. Remontez le raccord rapide.

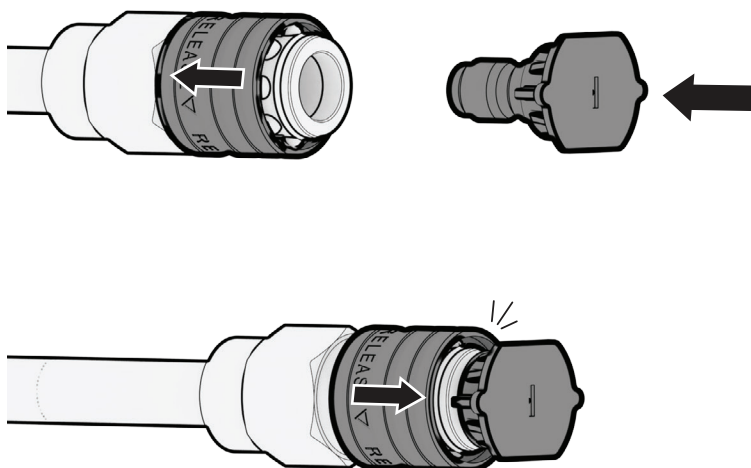
REMARQUE

- Inspectez toujours le filtre d'entrée d'eau avant d'utiliser le nettoyeur haute pression.
- Ne jamais faire fonctionner le nettoyeur haute pression sans filtre à eau, cela dégraderait rapidement l'appareil.

3.2 ASSEMBLAGE DE LA PISTOLET À PULVÉRISATION

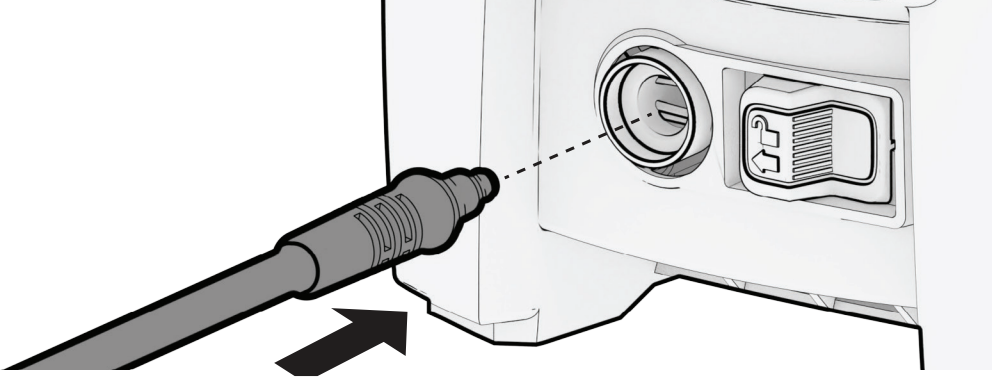


1. Aligner les encoches de la lance et du pistolet de pulvérisation.
2. Pousser fermement vers le bas et tourner dans le sens des aiguilles d'une montre pour verrouiller la lance en place.

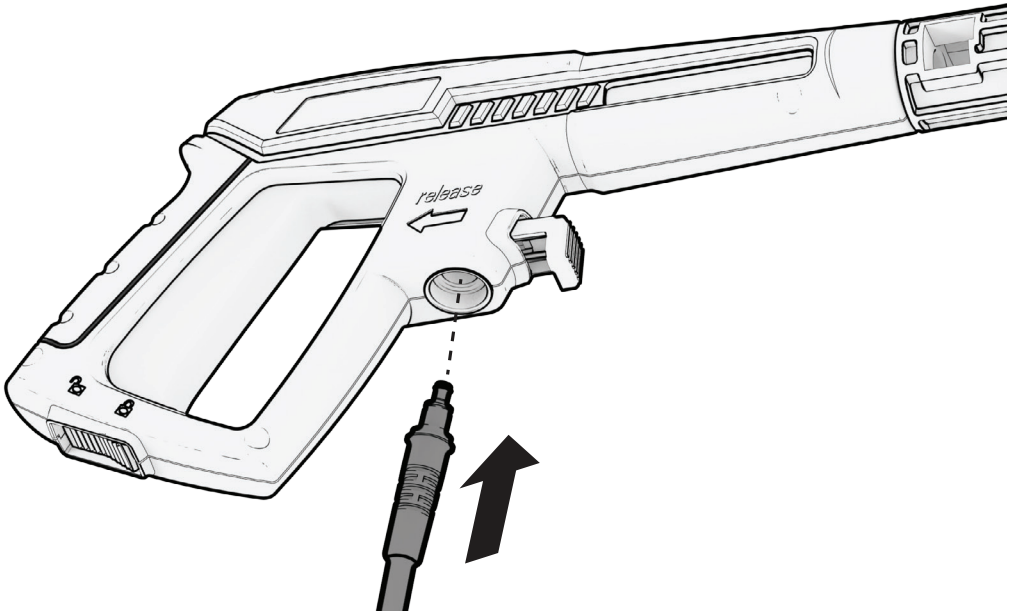


3. Si vous utilisez une buse à pression, faites glisser le manchon à dégivrage rapide de la lance vers l'arrière et fixez fermement la buse en place.
4. bloquer la buse à pression en faisant glisser le manchon de dégivrage rapide de la lance vers l'avant.

3.3 ASSEMBLER LE TUYAU HAUTE PRESSION



1. Fixez l'une des extrémités du tuyau haute pression à la prise de raccordement rapide de l'appareil en appuyant fermement.

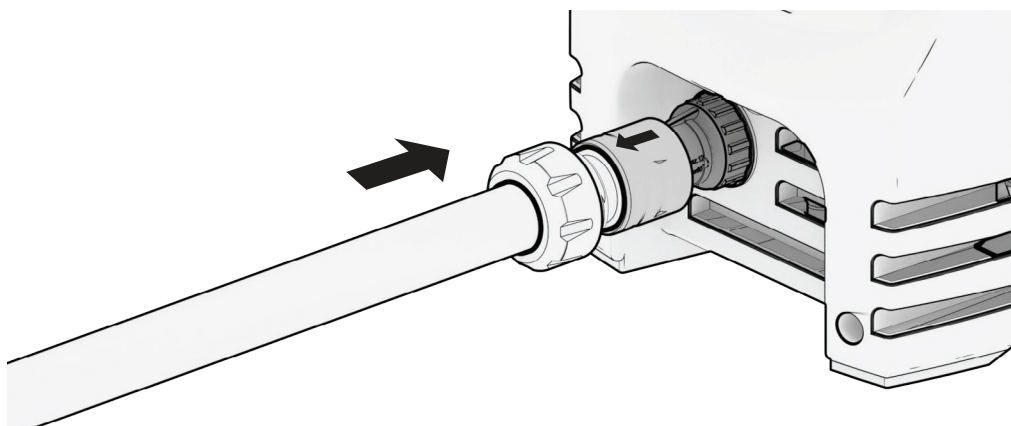
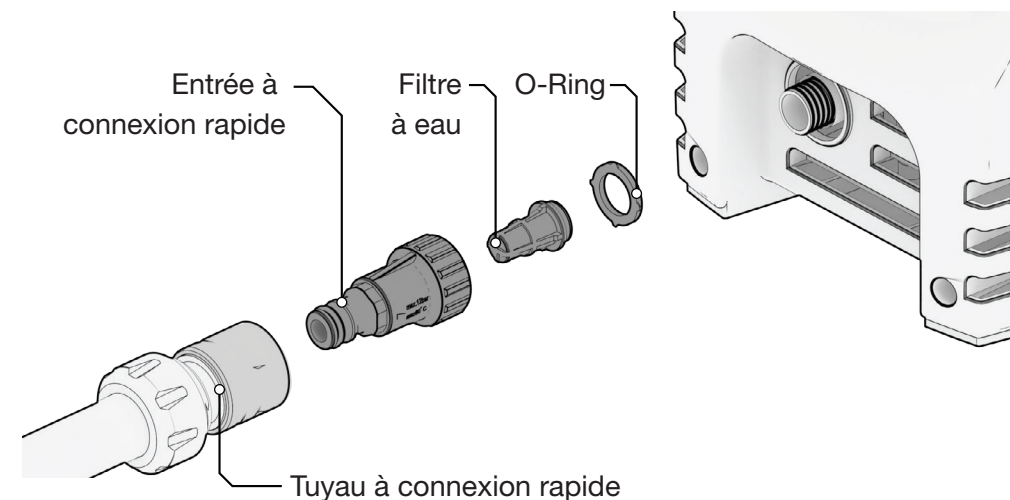


2. Fixer l'autre extrémité du tuyau haute pression à l'entrée du raccord rapide du pistolet de pulvérisation en appuyant fermement.

REMARQUE

- Vérifiez que le tuyau haute pression est bien serré. La pression peut provoquer des lésions corporelles si les raccords se séparent.

3.4 ASSEMBLER LE TUYAU D'ALIMENTATION EN EAU



1. Raccordez un tuyau d'arrosage à un robinet extérieur. Faites couler de l'eau dans le tuyau d'arrosage pour éliminer tous les débris.
2. Sortez le filtre à eau et inspectez-le pour vous assurer qu'il est bien en place et qu'il ne contient pas de débris.
3. À l'aide d'un adaptateur de tuyau à raccord rapide, raccordez le tuyau d'arrosage à l'entrée du raccord rapide. Utilisez le tuyau le plus court possible pour effectuer le travail. N'utilisez pas un tuyau de plus de 15,2 m.

REMARQUE

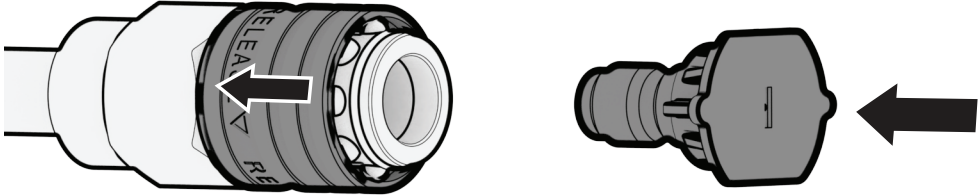
- Ne pas utiliser le nettoyeur haute pression si le filtre à eau est manquant ou endommagé.
- Ne démarrez pas l'appareil sans que l'alimentation en eau soit connectée et allumée. L'alimentation en eau doit fournir au moins 1,8 GPM. Ne pas puiser dans une réserve d'eau stagnante. La température de l'eau ne doit pas dépasser 40°C (104°F).

3.5 FIXER LES BUSES DE PULVÉRISATION

⚠ AVERTISSEMENT!






Le verrouillage de sécurité de la gâchette DOIT être enclenché lors du remplacement des buses lorsque le moteur est en marche.

Haute pression dans la zone de la buse. Risque de blessure causé par une buse incorrectement verrouillée.



1. Si vous utilisez une buse à pression, faites glisser le manchon à dégagement rapide de la lance vers l'arrière et fixez fermement la buse en place.
2. bloquer la buse à pression en faisant glisser le manchon de dégagement rapide de la lance vers l'avant.

Guide de sélection des buses

	 0°	 15°	 25°	 40°	 65°
Décapage de peinture	✓	✓			
Béton	✓	✓	✓		
Revêtement			✓	✓	✓
Terrasse			✓	✓	✓
Gouttières			✓	✓	✓
Véhicules				✓	✓
Fenêtres				✓	✓
Meubles				✓	✓
Détergent					✓

REMARQUE

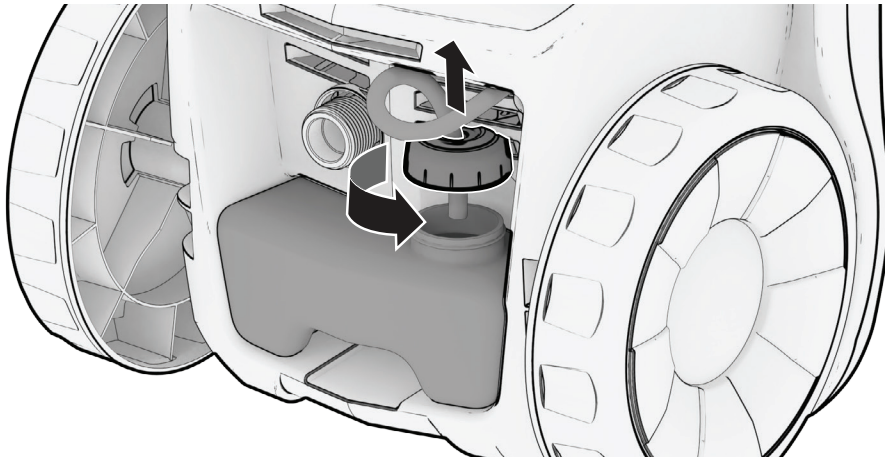
- Il s'agit d'une liste de tailles de buses compatibles. Les buses indiquées ci-dessus peuvent ne pas être incluses dans votre achat.
- Buse ROUGE (0°) - pression maximale : produit un jet d'eau très concentré. Cette buse doit être utilisée pour éliminer les taches et les débris tenaces du béton et du métal. **CETTE BUSE ENDOMMAGERA LES SURFACES SOUPLES. NE PAS utiliser sur le bois, les revêtements extérieurs, les terrasses, les surfaces peintes, les fenêtres ou les véhicules.**
- Buse JAUNE (15°) : utilisée pour préparer les surfaces à peindre. Peut être utilisée pour la préparation des surfaces, par exemple pour enlever la saleté, la moisissure ou la peinture des surfaces dures. **NE PAS utiliser sur des surfaces peintes, des fenêtres ou des véhicules.**
- Buse VERTE (25°) : soulève et nettoie en douceur la plupart des surfaces. Cette buse peut être utilisée en toute sécurité sur la plupart des surfaces. Essayez de nettoyer avec cette buse avant d'utiliser les buses JAUNE ou ROUGE. **NE PAS utiliser sur les fenêtres ou les véhicules.**
- Buse BLANCHE (40°) : utilisable en toute sécurité sur toutes les surfaces, y compris les fenêtres, les stores et les véhicules. Cette buse peut être utilisée pour le rinçage après l'utilisation de la buse de savonnage.

- Buse NOIRE de savonnage (65°) : buse à basse pression pour détergent. À utiliser lors de l'application de détergents pour vos projets de nettoyage. Les détergents ne seront tirés de la source de détergent que lorsque cette buse est utilisée.

3.6 NETTOYAGE AVEC DES DÉTERGENTS

REMARQUE

- Les détergents ne peuvent être appliqués qu'avec la buse noire à basse pression.
- Le détergent ne pourra pas être appliqué avec la buse à haute pression.
- Ne pas utiliser de javellisant.
- Le rapport de dilution de ce nettoyeur à pression est de 1:20



1. Installer la buse de détergent noire à basse pression.
2. Préparer le détergent selon les besoins du travail et suivre les instructions fournies par le fabricant.
3. Retirez le bouchon du compartiment à détergent et remplissez-le. Remplacez-le une fois rempli.
4. Lorsque le moteur tourne, appuyer sur la gâchette pour actionner la lance de pulvérisation. Le détergent liquide est aspiré dans l'appareil et mélangé à l'eau. Appliquer du détergent sur la zone de travail. NE PAS laisser sécher le détergent sur une surface.
5. Rincez la surface avec de l'eau propre en passant à une buse à haute pression (buses à 0, 15, 25 ou 40 degrés).
6. Pour nettoyer le matériel après utilisation, remplissez le réservoir de détergent avec de l'eau propre. Vaporisez de l'eau propre par la buse noir à basse pression jusqu'à ce que le réservoir soit vide, puis arrêtez le moteur.

REMARQUE

- N'utiliser que des détergents doux et écologiques destinés à être utilisés avec les laveuses à pression. Ne jamais utiliser de produits chimiques agressifs (comme l'eau de Javel), de détergents abrasifs ou autres pour éviter de nuire à votre santé, au produit et à l'environnement.
- Les produits chimiques restants qui sèchent dans le système peuvent causer des dommages. Les dommages causés par les résidus chimiques ne seront pas couverts par la garantie.

3.7 DILUTION DU DÉTERGENT

REMARQUE

- Le rapport de dilution de ce nettoyeur à pression est de 1:20.

Cela signifie que le nettoyeur utilisera 1 partie de détergent pour 20 parties d'eau utilisée. Utilisez cette donnée pour calculer le taux de dilution approprié lorsque vous combinez votre détergent et l'eau dans votre récipient à détergent. Par exemple, si votre détergent nécessite une dilution de 1:120, vous ne devez le diluer qu'avec 6 parties d'eau pour 1 partie de détergent dans le réservoir à détergent, avant de laisser le nettoyeur à pression le diluer davantage à 1:120.

3.8 VÉRIFICATION DE L'ALIMENTATION EN EAU

- Consulter les règlements locaux de votre entreprise municipale d'approvisionnement en eau pour vérifier si un dispositif de prévention du refoulement est nécessaire pour se raccorder à l'eau potable. Cela garantit qu'aucun retour de produits chimiques ne se produira dans l'alimentation en eau. Utiliser un filtre à eau pour éviter les dommages potentiels dus à la saleté dans l'alimentation en eau.
- Le tuyau d'arrosage doit avoir un diamètre d'au moins 1,6cm (1/2 po).
- Le débit de l'eau ne doit pas être inférieur à 1,8 gal/min.
- La température de l'eau ne doit pas dépasser 40°C/104 °F.
- Ne jamais utiliser la laveuse à pression pour aspirer de l'eau contaminée par des solvants, par exemple des diluants à peinture, de l'essence, de l'huile, etc.
- Toujours empêcher les débris d'être aspirés dans l'unité en utilisant une source d'eau propre et un filtre à eau supplémentaire.
- NE PAS faire fonctionner la laveuse à pression sans que l'alimentation en eau soit activée.

4. DÉMARRAGE DE LE NETTOYEUR HAUTE PRESSION

⚠ AVERTISSEMENT!

Ne pas faire fonctionner la pompe sans la raccorder à l'approvisionnement en eau ni mettre l'eau en marche. Le non-respect de cette consigne pourrait endommager le nettoyeur haute pression. Le non-respect de ces instructions annule la garantie du produit.

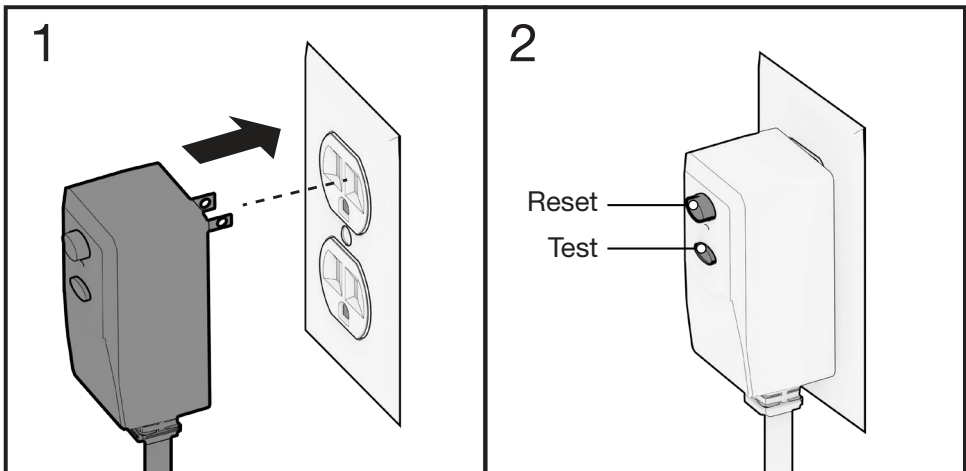
L'eau qui est produite par cette unité n'est pas potable.

⚠ DANGER! ⚠

Risque d'injection de liquide et de lacération. **NE PAS** diriger le jet de décharge vers soi-même, des personnes, une peau non protégée, des yeux ou tout animal ou animal domestique. Cela pourrait entraîner de graves blessures. **NE PAS** traiter l'injection de liquide comme une simple coupure! Consulter un médecin immédiatement.

4.1 DÉMARRAGE DE LE NETTOYEUR HAUTE PRESSION

Le fonctionnement de la prise le disjoncteur différentiel de fuite à la terre (DDFT)

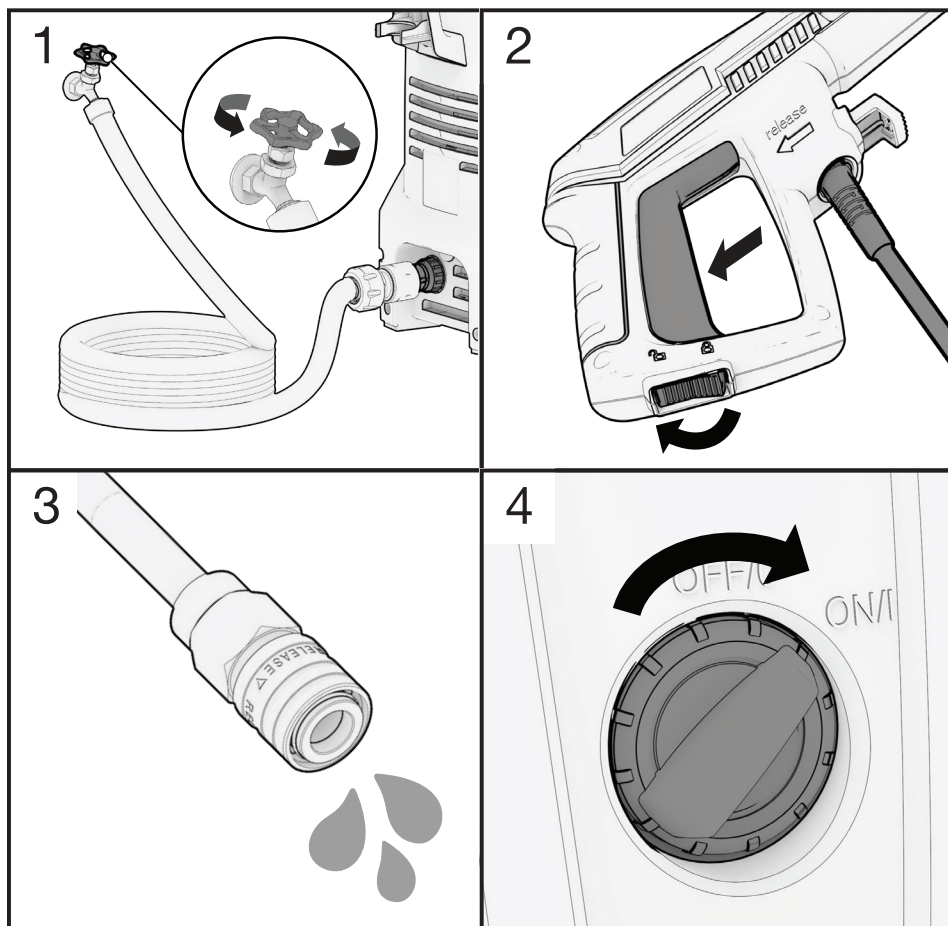


1. Insérer le fiche DDFT l'appareil sur une prise murale de 120 V pouvant délivrer jusqu'à 15 A ou 1800 W. Le voyant d'alimentation doit s'allumer.
2. Appuyez sur le bouton « Test ». Le disjoncteur du DDFT doit s'éteindre. Appuyez sur le bouton « Reset ». Le disjoncteur DDFT doit se remettre en marche. Si la fiche DDFT ne fonctionne pas correctement, cessez immédiatement de l'utiliser et contactez le service clientèle.

REMARQUE

- Si le DDFT détecte un court-circuit pendant le fonctionnement, le disjoncteur du DDFT s'éteint. Si le disjoncteur du DDFT ne se rallume pas après avoir appuyé sur le bouton « Reset », arrêtez immédiatement l'utilisation et contactez le service clientèle.

Démarrage de le nettoyeur haute pression

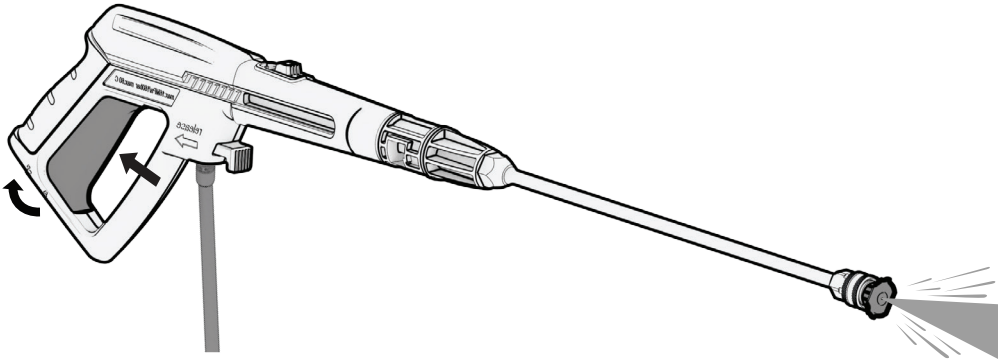


Avant l'utilisation, suivez toutes les étapes de la section 3 : « Vérification préalable à l'utilisation »

1. Ouvrez l'alimentation en eau à partir du tuyau d'arrosage. Vérifiez qu'il n'y a pas de fuites au niveau du raccord rapide et des orifices haute pression.
2. Déverrouillez la sécurité de la gâchette du pistolet de pulvérisation et appuyez sur la gâchette.
3. Maintenez la gâchette du pistolet de pulvérisation pour purger le système de tout air avant l'utilisation.
4. Mettez l'interrupteur du nettoyeur haute pression sur la position « ON ».

5. UTILISATION DE LE NETTOYEUR HAUTE PRESSION

5.1 UTILISATION DE LA PISTOLET DE PULVÉRISATION

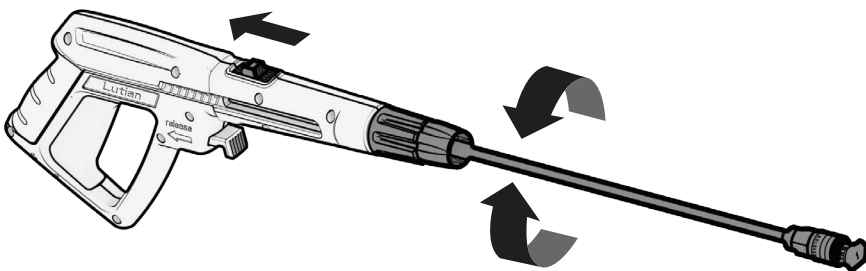


1. Déverrouillez la sécurité de la gâchette du pistolet de pulvérisation et appuyez sur la gâchette.
2. Maintenez la gâchette du pistolet de pulvérisation enfoncée pour démarrer le débit d'eau à haute pression.
3. Pour arrêter le débit d'eau, relâchez la gâchette.

Rinçage avec le nettoyeur haute pression

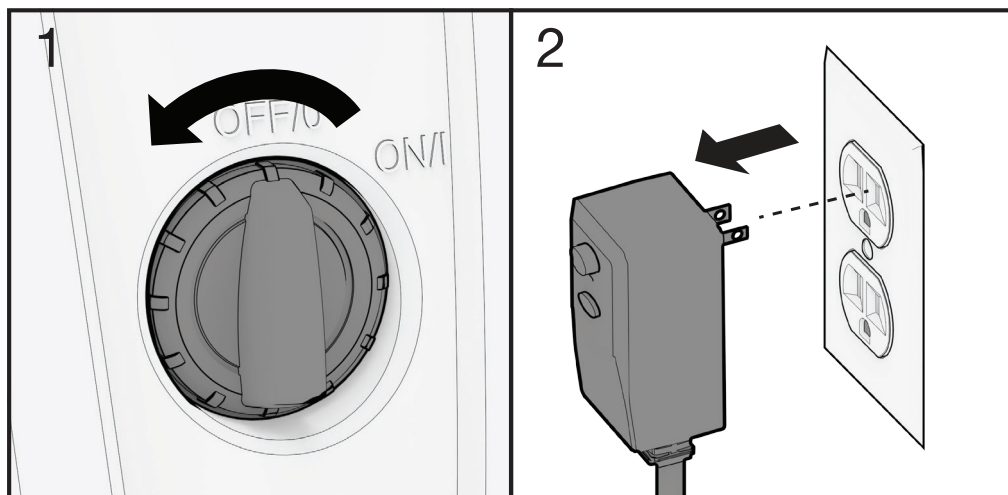
1. Effectuez d'abord un essai sur une petite surface afin d'éviter d'endommager la surface.
2. Rincer de haut en bas en effectuant de longs mouvements qui se chevauchent.

5.2 ROTATION DE LA LANCE

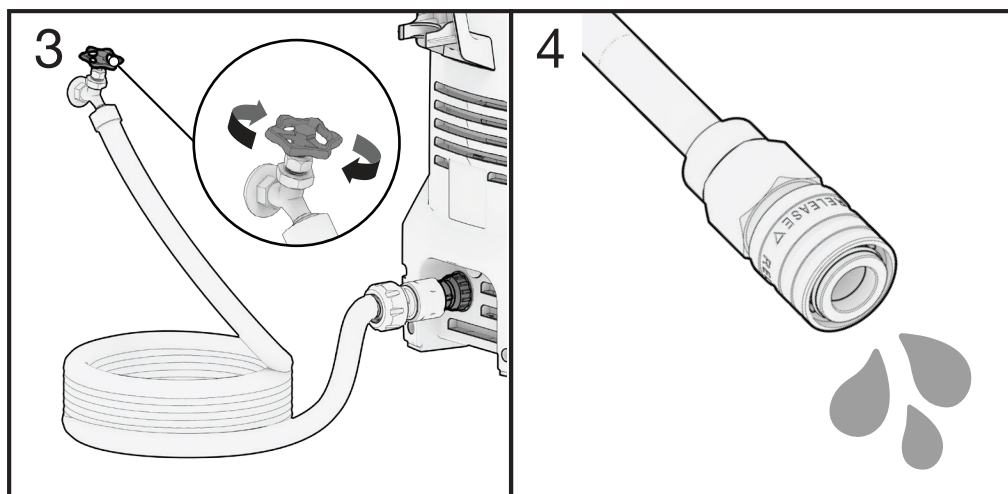


1. Désactiver le verrouillage de la rotation du pistolet de pulvérisation.
2. Tourner la lance dans le sens des aiguilles d'une montre ou dans le sens inverse.
3. Activez le verrouillage de la rotation de la lance de pulvérisation. S'assurer que la lance est bien fixée.

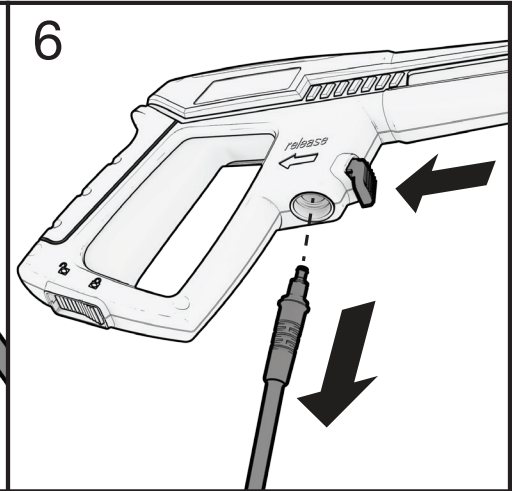
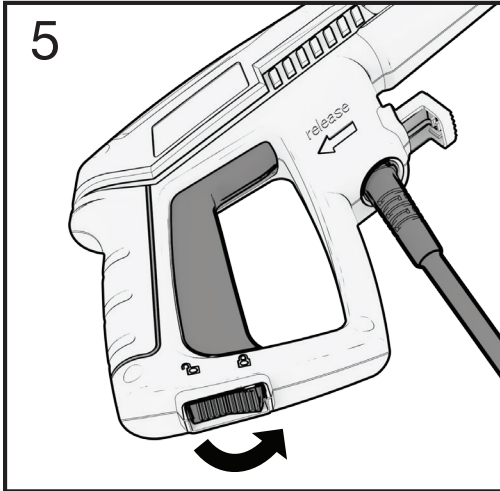
6. ARRÊT DU NETTOYEUR HAUTE PRESSION



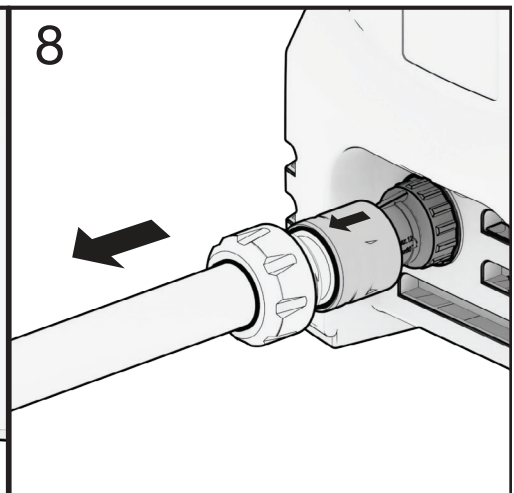
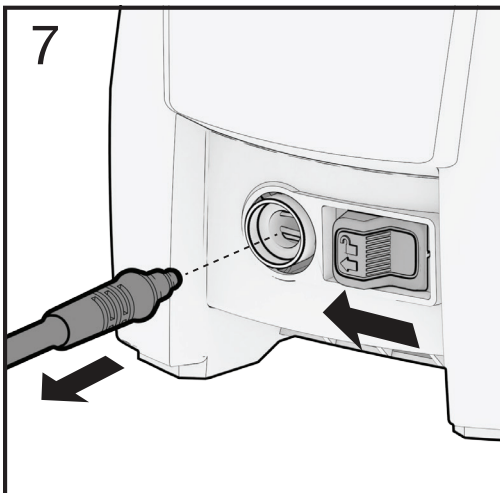
1. Mettez l'interrupteur du nettoyeur haute pression sur la position « OFF ».
2. Retirez la fiche DDFDT de la prise murale.



3. Coupez l'alimentation en eau du tuyau d'arrosage.
4. Appuyez sur la gâchette du pistolet de pulvérisation pour purger le système de toute eau sous haute pression.



5. Verrouillez la sécurité de la gâchette du pistolet de pulvérisation.
6. Maintenez enfoncé le verrou de déverrouillage rapide de la lance de pulvérisation et retirez le tuyau haute pression.



7. Maintenez enfoncé le verrou de dégagement rapide du nettoyeur haute pression et retirez le tuyau haute pression de l'appareil.
8. Retirez le tuyau d'arrosage à dégagement rapide de l'appareil.

7. ENTRETIEN

⚠ AVERTISSEMENT!

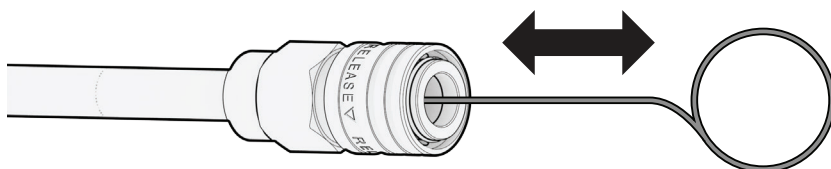
N'effectuez pas l'entretien du nettoyeur haute pression lorsque l'appareil est branché sur une prise de courant, sous tension ou relié à l'eau. Le non-respect de cette consigne risque d'endommager le nettoyeur haute pression et de provoquer des blessures.

Un entretien approprié permet de maintenir la laveuse à pression dans les meilleures conditions de fonctionnement en assurant un fonctionnement sûr, économique et sans problème. N'utiliser que des pièces d'origine et des liquides recommandés pour remplacer les composants usés. Un mauvais entretien peut entraîner un dysfonctionnement de la laveuse à pression et peut causer des blessures graves. Contacter le service à la clientèle en cas de questions concernant l'entretien.

Conseils pour l'inspection générale

- Chercher les fuites de carburant autour du réservoir, du tuyau de carburant et du robinet de carburant. Fermer le robinet de carburant et réparer les fuites immédiatement.
- Inspecter les fuites de gaz d'échappement, et y prêter l'oreille, lorsque le moteur est en marche. Faire réparer toutes les fuites avant de poursuivre l'utilisation.
- Vérifier la présence de saletés et de débris, et nettoyer si nécessaire.
- Vérifier le niveau d'huile à moteur et ajouter de l'huile si nécessaire.

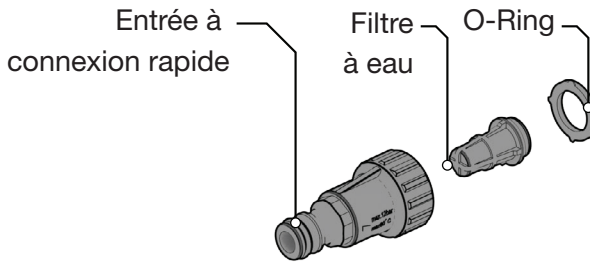
7.1 NETTOYAGE DE LA BUSE



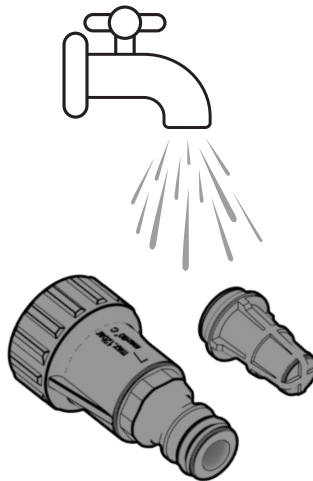
Utilisez l'outil de nettoyage fourni pour décoller les particules coincées dans la buse réglable. Rincer à l'eau.

7.2 NETTOYAGE DU FILTRE À EAU

Un filtre à eau encrassé réduit le débit de l'appareil. Nettoyez et entretenez régulièrement le filtre à eau, en particulier dans les endroits sales ou poussiéreux.



1. Séparer délicatement les pièces de l'entrée à connexion rapide.



2. Rincez les pièces du filtre à eau à l'eau claire.
3. Remontez le raccord rapide.

REMARQUE

- Inspectez toujours le filtre d'entrée d'eau avant d'utiliser le nettoyeur haute pression.
- Ne jamais faire fonctionner le nettoyeur haute pression sans filtre à eau, cela dégraderait rapidement l'appareil.

8. TRANSPORT ET REMISAGE

8.1 STOCKAGE À LONG TERME - NETTOYEUR HAUTE PRESSION

1. Suivez toutes les instructions pour arrêter le nettoyeur haute pression.
2. Assurez-vous que toute l'eau sous haute pression a été purgée du pistolet de pulvérisation.
3. Inclinez l'appareil d'un côté à l'autre pour vous assurer que toute l'eau a été évacuée de tous les tuyaux, entrées et sorties.
4. Conservez l'appareil à une température supérieure à 0° C.

8.2 STOCKAGE À LONG TERME - TUYAU D'ARROSAGE

1. Vider toute l'eau du tuyau à haute pression et l'enrouler sur le support.
2. Vider toute l'eau du pistolet de pulvérisation en le tenant verticalement avec la buse vers le bas et en pressant la gâchette jusqu'à ce que l'eau cesse de couler.
3. Stocker à des températures supérieures à 0° C.

9. DÉPANNAGE

Problème	Cause possible	Solution
Ne pas atteindre la haute pression	<ul style="list-style-type: none"> ■ Faible alimentation en eau ■ Alimentation en eau limitée ■ Filtre d'entrée d'eau bouché ■ Buse obstruée ■ Tuyau à haute pression trop long 	<ul style="list-style-type: none"> ■ Retirer et raccorder une buse à haute pression. ■ L'alimentation en eau doit être d'au moins 1,4 gal/min à partir d'un tuyau de 1,6 cm (1/2 po) de diamètre minimum ■ Vérifier les fuites, les coudes ou les blocages des tuyaux. S'assurer que le robinet est bien ouvert. ■ Enlever le filtre et le rincer à l'eau chaude. Réinstaller. ■ Voir les instructions de nettoyage des buses. ■ Tuyau haute pression de 30 m (100 pieds)
Fuite d'eau au niveau du raccord de la pistolet de pulvérisation ou de la pompe	<ul style="list-style-type: none"> ■ Connexions lâches ■ Joint torique de lance de pulvérisation usée ■ Emballages de piston usés ■ Joint torique de pompe usée ■ Tête de pompe ou tubes endommagés par le gel 	<ul style="list-style-type: none"> ■ Serrer. ■ Remplacer. ■ Communiquer avec le soutien technique. ■ Communiquer avec le soutien technique. ■ Communiquer avec le soutien technique.

Pression incohérente ou faible pendant l'utilisation	<ul style="list-style-type: none"> ■ L'alimentation en eau est limitée. ■ L'alimentation en eau n'est pas à pleine puissance. ■ Buse bouchée ■ Fuite des pistolets à pulvérisation ■ Air dans les conduites ■ Crépine du tuyau d'entrée bouchée ■ Température de l'eau supérieure à 100 °F ■ Pompe défectueuse 	<ul style="list-style-type: none"> ■ Inspection des tuyaux d'arrosage pour détecter les coudes, les fuites ou les obstructions Utiliser un tuyau d'arrosage d'au moins 1,6 cm (1/2 po) ■ Ouvrir complètement le robinet de l'alimentation en eau. ■ Nettoyer la buse. ■ Vérifier toutes les connexions. Utiliser du ruban adhésif si nécessaire. ■ Appuyer sur la poignée de la gâchette pour évacuer l'air dans la conduite ■ Nettoyer le filtre d'entrée dans l'eau chaude. ■ Utiliser l'alimentation en eau froide. ■ Communiquer avec le soutien technique.
--	--	---

10. SPÉCIFICATIONS TECHNIQUES

		5044-039
Nettoyeur haute pression	PSI Nominal	1450
	PSI Max.	2030
	GPM Max.	1,8
	Tuyau haute pression	20 ft. (6,1 m)
	Puissance	1800w
	L x W x H	13,9 x 11,3 x 30,7 po
	Poids	16,9 lbs

11. TOUT SUR LA GARANTIE

Les produits sont distribués par:

Midland Power Inc.
376 Magnetic Drive, Toronto, ON M3J 2C4, Canada

Ce produit est garanti d'être sans défauts en matériel et en main-d'oeuvre pendant trois ans après la date de l'achat. Cette garantie stipule que toute pièce défectueuse sera réparée ou remplacée gratuitement, y compris le diagnostic et les pièces de rechange.

Périodes de Garantie Limitée

Utilisation pour les loisirs et résidentielle : Trois (3) ans limitée

- 1ère année : pièces et main-d'oeuvre
- 2ème et 3ème année : pièces seulement

Utilisation commerciale : 6 mois limitée, pièces et main-d'oeuvre

L'utilisation commerciale comprend l'utilisation du produit acheté pour une entreprise ou une organisation à but non lucratif, ou pour le bénéfice financier d'un individu. Cela inclut, sans s'y limiter, l'utilisation dans le cadre d'une transaction financière, l'utilisation sur une propriété commerciale ou à but non lucratif, ou l'utilisation à des fins de publicité ou de marketing.

Cette garantie limitée commence au moment de l'achat au détail et couvre les défauts de main-d'oeuvre causés par des composants défectueux ou une main-d'oeuvre défectueuse pendant trois (3) ans. Cette couverture de garantie est continue depuis la date de l'achat initial et ne redémarre pas à quelque moment que ce soit, quelles que soient les circonstances. Cette garantie limitée est valable pour les fonctionnements résidentiels et de loisirs seulement lorsque le nettoyeur à pression a reçu l'entretien préventif nécessaire tel que décrit dans le Guide de l'utilisateur.

La réparation ou le remplacement se fera pendant une période de temps raisonnable pendant les heures de service. Toute réparation et toute pièce de rechange seront garanties pendant 90 jours après la date initiale d'installation ou d'achat.

Limitations des Remèdes et Refu

Midland Power Inc. récuse toute responsabilité quant à la perte de temps ou d'utilisation du nettoyeur à pression dans un véhicule récréatif ou tout véhicule dans lequel le nettoyeur à pression est installé, le transport, la perte commerciale ou tout autre dommage imprévu ou en découlant. Toutes les garanties impliquées sont limitées à la durée de cette garantie écrite.

LES DISPOSITIONS PRÉCÉDENTES DE LA GARANTIE LIMITÉE SONT EXCLUSIVES ET REMPLACENT TOUT AUTRE GARANTIE DE QUALITÉ MARCHANDE, DE VALEUR POUR UN BUT PARTICULIER ET TOUT AUTRE GARANTIE, QU'ELLE SOIT EXPRIMÉE OU IMPLIQUÉE.

Les pièces consommables, telles que le lubrifiant, les tuyaux, les joints toriques, les joints d'étanchéité, la lance de pulvérisation, les pieds, ou les buses ne sont pas couverts par cette garantie. La couverture de cette garantie ne comprend pas les parties affectées par un accident et/ou une collision, la corrosion ou la rouille, l'usure normale, le mauvais type de carburant ou un carburant contaminé, l'utilisation en une application pour laquelle le produit n'a pas été conçu, un service non autorisé, ou tout autre mauvais usage, négligence, l'incorporation ou l'utilisation de pièces rapportées ou de parties ne convenant pas. Les dommages aux régulateurs de tension causés par la négligence de mettre à la terre, un manque ou une surcharge ne seront pas couverts par cette garantie. Sous cette garantie, nous n'avons pas l'obligation de supporter tout frais de transport de tout produit autre que les défauts en matériel ou exécution du produit ne seront pas couverts par cette garantie.

Exclusions – Pas Couverts Par Cette Garantie Limitée

- Dommage causé par un manque d'entretien tel que décrit dans les guides de l'utilisateur ou la négligence par utilisation incorrecte.
- Dommages causés par des accidents, une installation ou un entreposage incorrects.
- Dommages causés par l'absorption d'eau, la submersion ou des dégâts d'eau externes.
- Dommages dus à une utilisation inappropriée de produits chimiques ou à un mauvais nettoyage.
- Dommages causés par un fonctionnement avec des vitesses, charges, conditions ou modifications contraires aux spécifications publiées.
- Des articles non fournis compris, mais sans s'y limiter, des batteries de démarrage, des câbles de batterie, un câblage externe, des canalisations d'essence, des filtres etc.
- Les réparations faites pendant la période de garantie sans avoir au préalable obtenu un numéro de cas.



Service à la clientèle

En Ligne : www.benchmark.midlandpowerinc.com

Courriel : support@midlandpowerinc.com

Numéro gratuit : 1-877-528-3772

Profitez-en!

Veillez vérifier chaque mois sur www.benchmark.midlandpowerinc.com
les mises à jour concernant votre produit.





BENCHMARKTM_{MC}

5044-039